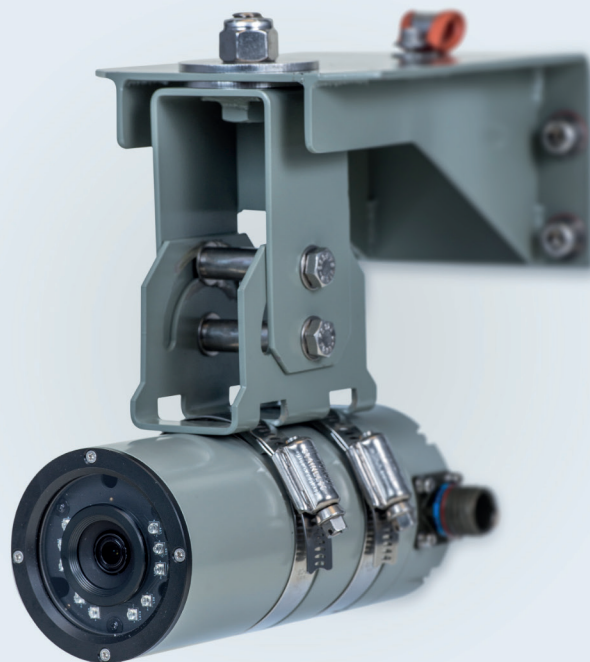


0482-6010 HD



KONGSBERG



RUGGED HD POE CAMERA

The Kongsberg Maritime 0482-6010HD is an ultra-rugged naval marine IP colour camera with a day/night feature combined with a wide angle IR corrected lens and is ideally suited to the limited lighting conditions found in the ship engineering spaces. In instances where there is insufficient ambient lighting the in-built IR illumination LEDs automatically provide sufficient scene illumination for up to 30 m.

The camera's 2-Megapixel CMOS sensor enables a viewing resolution of 1920x1080 at 30 fps providing high quality, high definition video.

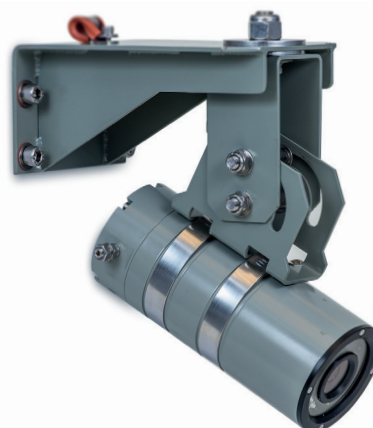
The KONGSBERG rugged compact IP Power over Ethernet (PoE) camera supports the latest industry-standard H.264 compression technology, drastically reducing file sizes and conserving valuable network bandwidth. With H.264 and MJPEG compatibility all included, multiple streams can be simultaneously transmitted in either of these formats at different resolutions, frame rates, and image qualities for versatile platforms. The camera also features a Micro SD card for local on-board storage.

Data and power transmission to the camera is made via a single Cat5e or Cat6 cable which removes the requirement for the installation of additional junction boxes or power supplies.

The camera is housed in a machined, anodised and painted marine-grade Aluminium housing to provide a large degree of protection from the ship environment in which it needs to operate in. A stainless steel bulkhead mounting bracket (part no. 0482-6011) is also available and the whole assembly is designed for ease of installation.

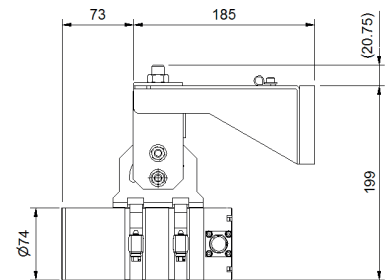
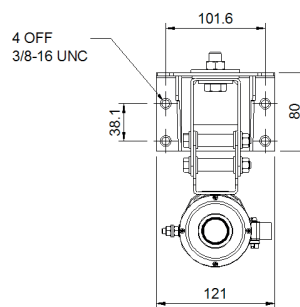
The camera has been designed to meet the stringent US Navy Grade A requirements of MIL-STD-901D 'Hammer' shock test, MIL-STD-167-1A shipboard vibration and MIL-STD-461E EMI for surface ships.

The Kongsberg Maritime 0482-6010HD is a form, fit and function replacement for the original, proven, in-service 0482-6010 fully 'MIL' qualified naval/ marine PoE camera. Typical application scenarios include naval surface ships, commercial vessels, general observation and industrial monitoring.



FEATURES

- 2 Megapixel Colour Day/Night camera
- High Definition 30 fps @ 1920 x 1080
- Built in IR LED illuminators
- Designed to US MIL Spec
- On-board SD card storage
- 3rd party Video Management Software (VMS) compatible
- Power over Ethernet (PoE) compatible
- ONVIF compliant



TECHNICAL SPECIFICATIONS

ELECTRICAL

Resolution	Up to 1920x1080 @ 30 fps (2 MP)
Scene illumination	0.06 Lux @ F2.1 colour mode 0.01 Lux @ F2.1 monochrome mode
IR Illumination	Automatic to illuminate subject at up to 30 m, software disable IR LED
Sensor type	1/2.9" progressive CMOS
Video compression	H.264 and MJPEG
Video streaming	4 simultaneous streams
Frame rate	1 to 30 fps at 1080p (1920 x 1080)
Networking	10/100 Mbps Ethernet, ONVIF support and Milestone XProtect® compatible
On-board storage	Micro SD/SDHC/SDXC card slot - 4GB card fitted
Power input	Power over Ethernet (PoE) (IEEE802.3af Class 0), max. 10 W
Electro-magnetic compatibility	(Designed to) MIL-STD-461E, Surface Ships

ENVIRONMENTAL

Housing	IP67 (1 m immersion)
Temperature	(Designed to) MIL-STD-810F Operating: -32°C to +57°C / 95% RH Storage: -40°C to +70°C
Vibration	(Designed to) MIL-STD-167-1A Shipboard, 4 to 33 Hz
Shock	(Designed to) MIL-S-901D, Grade A, Class 1, Type A
Salt fog	(Designed to) MIL-STD-810F, Method 509.4

OPTICAL

Standard lens	3.6mm, F2.1
Iris control	Electronic, automatic
Focus	Fixed focal
AOV in air	78° horizontal x 42° vertical x 84° diagonal

MECHANICAL

Diameter	74 mm (excl. connector)
Length	174 mm
Weight	1 kg in air
Standard housing	Aluminium alloy 6082T6 to BS1470, clear anodized and painted grey FED-STD-595 #26307 polyester powder semi-gloss paint top coat – other paint options available on request
Window	Glass, 2 mm thick
Connector	D38999/ 20WB35PN

Specifications subject to change without any further notice.

0482-6010HD-020_Datasheet_UK / Rev.F

KONGSBERG MARITIME

Telephone: +44 1224 226500
E-mail sales: km.sales.camera.uk@km.kongsberg.com

www.km.kongsberg.com



KONGSBERG