

# K-Chief

## Alarm and Command Panel



KONGSBERG



### General description

The Alarm and Command Panel (ALC) is a specially designed operator panel for the K-Chief Alarm Monitoring and Control System (AMCS) in the bridge environment. The ALC panel is supplied with back light to be visible on dimmed bridge.

To fully replace the standard CRP panel used in Engine Control Room, the INP panel has added for input and a command functions.

The ALC is divided into three separate function areas:

**Alarms:** Three alarm buttons (ACK, “Sound off” and ALARM VIEW)

**Panel:** Two status lamps (POWER, FAULT)

**Command:** Three command buttons (TAKE, GIVE and STATUS)

### Functions

- Alarm and unacknowledged alarm indication.
- Remote sound off
- Internal self check with alarm
- Power indication
- Fault indication
- Status LEDs internal and external dimmable
- Easy from the top console installation,
- I/O for interface

## Specification

### Supply voltage:

18 - 32 V DC  $\pm 5$  % ripple.

### Power consumption:

2,5W maximum, Nominal 1,3W

### Ambient operational temperature:

-25°C to +70°C

### Max. relative. Humidity:

96% non-condensing.

### Ambient storage temperature:

25°C to +70°C in a dry area with approx. 70% humidity.

### Housing:

Aluminium.

### Weight of unit:

0,25 kg.

### Dimensions:

Width 99 mm Height 104 mm Depth 49 mm.

### Panel cut-out:

See separate DWG for additional details

### Mounting:

Flush mount from top

### Ingress protection:

IP 22

### Shock and vibration:

DnV Class B, IACS E10, IEC 60945

### EMC properties:

According to IACS E10, IEC 60945

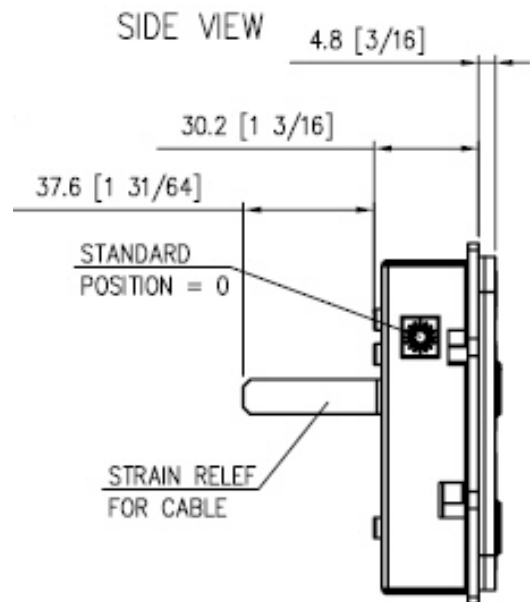
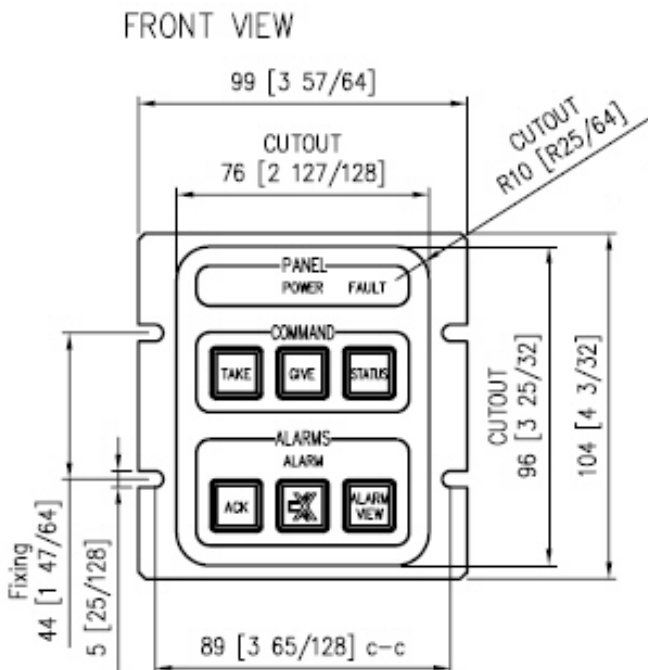
### Isolation:

- Power Complete isolated: (DC/DC Converter)
- I/O: Dry contact DO/DI  
Chassis used as 0 Volt reference

### Communication Interfaces:

- USB2 HID

**BIST (Built In Self Test):** Module temperature



KONGSBERG MARITIME AS

Bekkajordet 8a PO.Box 1009 N-3194 Horten Norway

Telephone +47 33 03 20 00 Telefax +47 85 02 80 28 www.kongsberg .com



KONGSBERG

AD-00491-A