

# EML224

# SKIPPER



Hydrographic  
Navigation

Fishery

Speed logs

Echo sounders

Direction finders

“Serve you  
further”

We build marine electronics for the merchant as well as the fishing fleet, based on experience, research and tradition. Our products are known worldwide for reliability, sophistication and good value for money.



### Electromagnetic Dual Axis Speed Log

**EML224** speed log system is the latest in computer based speed log technology for use onboard merchant- and larger fishing vessels.

**EML224** is a dual axis speed log, working on the electromagnetic principle. It provides information about transversal and longitudinal ship's speed, drift speed and angle.

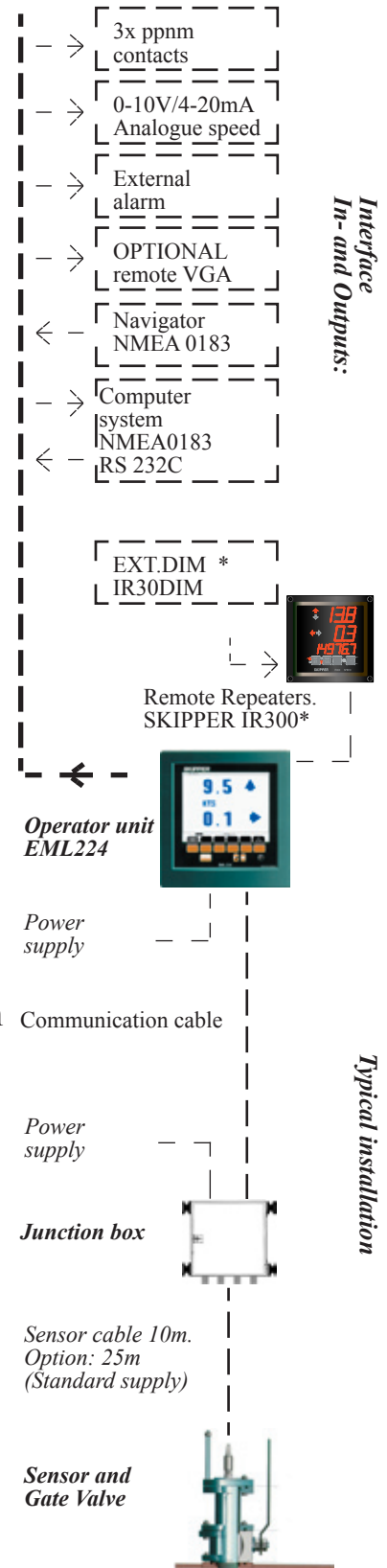
**EML224** have Sea Temperatur readout.

**EML224** measures speed through water.

**EML224** has a backlit, colour LCD display with “Soft Keys”. Choose between several screens to obtain all necessary information concerning speed, drift, status and calibration.

The system may be interfaced with most modern peripheral equipment.

### System overview



skipper@skipper.no

**SKIPPER Electronics A/S**

Ryensvingen 5, P.O. Box 151, Manglerud, N0612 Oslo, Norway  
Ph: +47 23 30 22 70 Fax: +47 23 30 22 71

www.skipper.no

# EML224

# SKIPPER

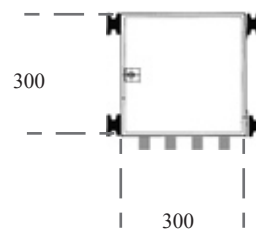
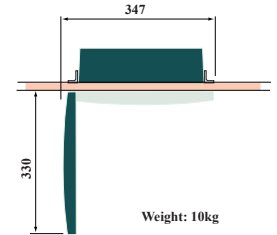
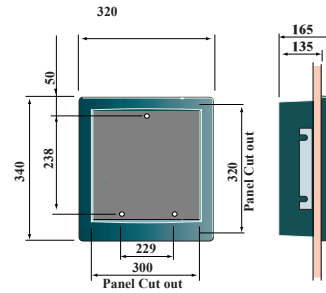


## Specifications

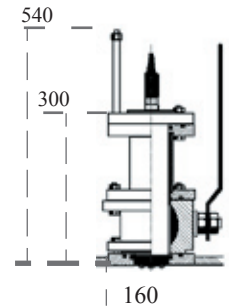
Power Supply	AC: 220/110V 50/60Hz. DC: 20-40VDC
Power Consumption	Max 100W
Display	150x200mm graphic TFT Colour LCD screen with adjustable backlight
Memory	Storage memory for retaining operational settings
Calendar/ Clock	Year-month-day Hour--min-sec.
Speed Range	0-50kts in both axis
Calibration	Both linear and unlinear
Accuracy	5% or 0,5kts
Outputs	-Analogue 0-10V and 4-20mA -NMEA 0183/ RS232/ RS422 -VGA, -Analogue digital remote display.
Inputs	-From sensor (Speed, and temp) -NMEA0183/ RS 232/ RS 422 -Built-in test simulator
Languages	English, French, German, Spanish Russian, Norwegian
Approval	Wheelmark
Service	Available in all major harbours, world-wide through dealer network
*)	Option

## Dimensions

Operator unit EML224



Junction Box



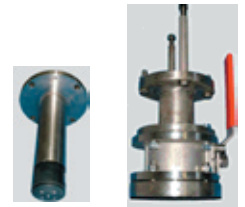
Gate Valve

## Screen pictures

Night screen



Junction box



Sensor and Gate valve (Stainless steel)

Screen open sea



Distributor/ Agent