

# Simrad 38-9

## Single beam echo sounder transducer

### Introduction

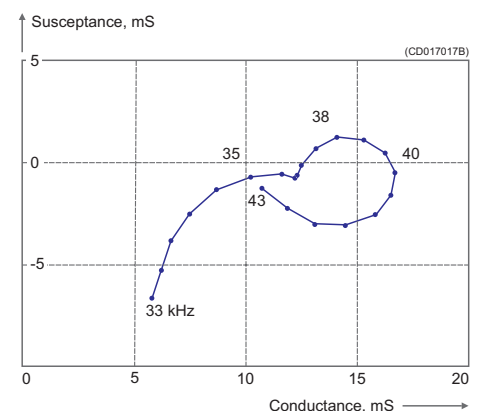
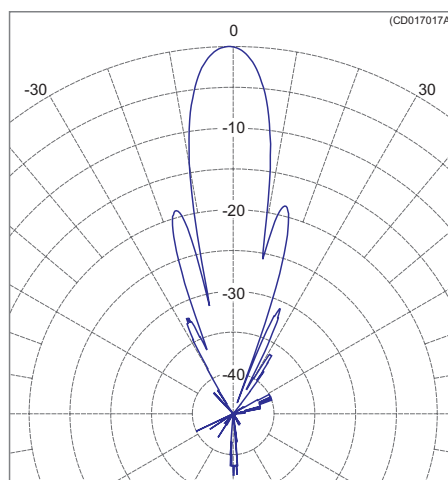
The **Simrad 38-9** is a medium size, 38 kHz single beam echo sounder transducer. It incorporates 48 Tonpilz elements. The circular transducer body is easily mounted.

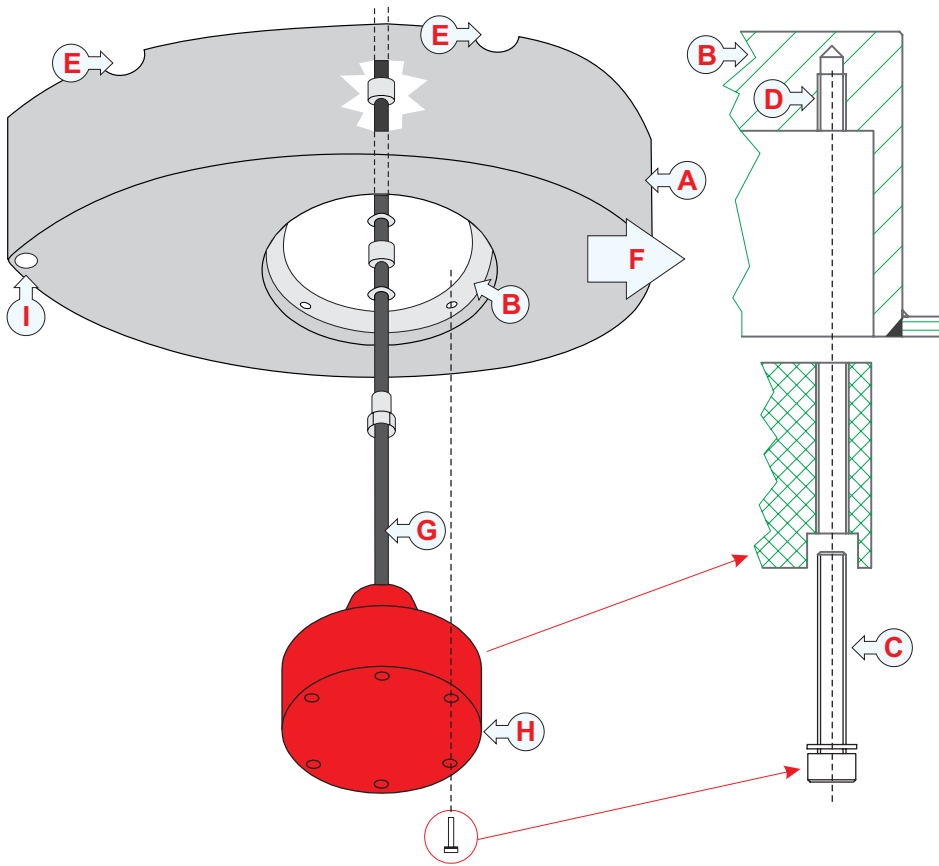
### Order number

KSV-203635

### Technical specifications

- Resonant frequency: 38 kHz
- -3 dB bandwidth: 7 kHz
- Circular beamwidth: 9 deg
- Directivity D: 400
- $DI = 10 \log D$ : 26 dB
- Equivalent two-way beam angle  $\Psi$ : 0.016
- $10 \log \Psi$ : -18 dB
- Side lobes: Less than -18 dB
- Back radiation: Less than -25 dB
- Nominal impedance: 75 ohm
- Max. variation in  $|Z|$ : 60 to 95 ohm
- Max. variation in phase angle:  $\pm 30$  deg
- Transmitting response: 177 dB re 1 $\mu$ Pa per V
- Receiving sensitivity, open circuit: -171 dB re 1V per  $\mu$ Pa
- Electro-acoustic efficiency: 0.70
- Max. pulse power input: 1500 W
- Max. continuous input: 30 W
- Max. transducer depth: 100 m
- Cable length: 20 m
- Cable diameter: 11 mm
- Weight: 18 kg
- Storage temperature: -20° to 70°C





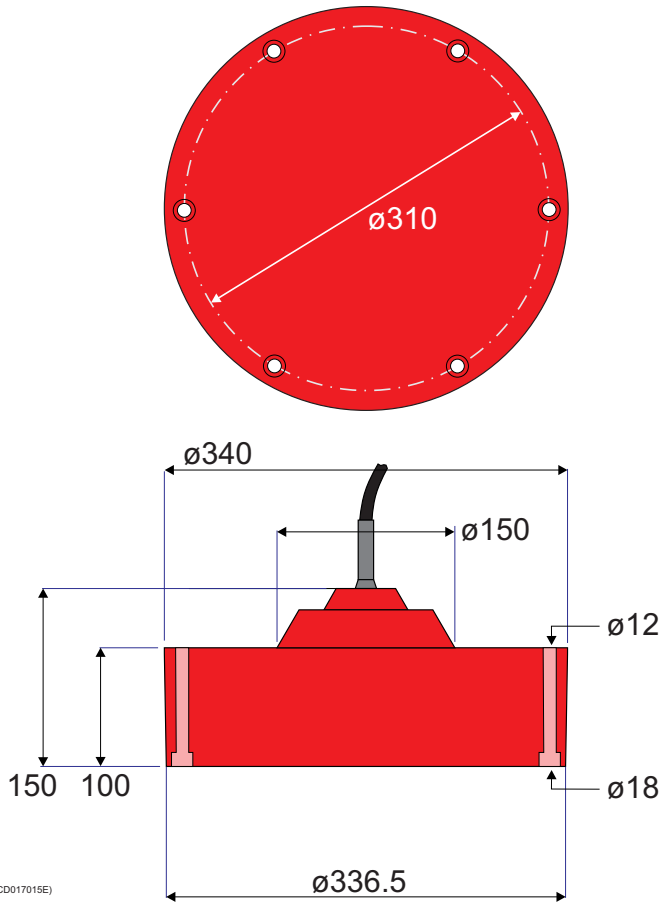
**Installation principle**

- (A) = Steel blister, must be manufactured by the shipyard
- (B) = Mounting ring, can be supplied by Simrad
- (C) = Bolt M10x100, maximum torque 31 Nm
- (D) = Self-locking threads
- (E) = Air outlet
- (F) = Forward
- (G) = Transducer cable
- (H) = Transducer
- (I) = Water drainage

For more information regarding installation, refer to the *Simrad 38-9 Installation manual*.

**Outline dimensions**

All dimensions in mm



(CD017015E)

855-164330 / Rev.B / August 2006

**Simrad Horten AS**

Strandpromenaden 50  
 P.O.Box 111  
 N-3191 Horten,  
 Norway

Telephone: +47 33 03 40 00  
 Telefax: +47 33 04 29 87  
**www.simrad.com**  
 simrad.sales@simrad.com

