



KONGSBERG

Heavy Duty Release

ORM

for use with the standard HiPAP and HPR transponders

System description

The Offload Release Mechanism (ORM) family is a range of Heavy Duty Underwater Release units, that can be used with any of the Kongsberg release-transponders.

The following units are available:

- ORM 7000, working load 7000 kg
- ORM 20000, working load 20000 kg

The figure shows the ORM 7000 fitted with a MPT 163 release transponder.

Since many offshore vessels today have either a HiPAP or a HPR system, there is no need for an additional deck system with an over-the-side-transducer. The ORM is **easily attached to a standard HiPAP / HPR release-transponder**.

Note that some transponders may have been delivered without a “lightweight” release mechanism. These can be retrofitted with a release mechanism. Using a standard transponder in place of a purpose built release-transponder saves money, as these transponders can be used for **both** positioning and heavy-duty release operations. They can even be used in positioning while lowering a heavy construction, and can be released on operator command from the HiPAP / HPR system. When the heavy lift operations are done, the transponder can be detached and be used for ordinary positioning.

The limit to how many ORMs one vessel may operate at one time is 56 units, as this is the number of acoustic channels available.

Release will take place when both the acoustic release command has been performed, and the weight is reduced to less than 25 to 30 kg or the lifted object hits the seabed. Hence the product’s name Offload Release Mechanism (ORM).



System features

Key features

- Releases on demand using acoustic signals
- Several units can be operated from a single vessel
- Stainless Steel design gives long mechanical life
- Slim and light design
- DNV type approved

Transponders

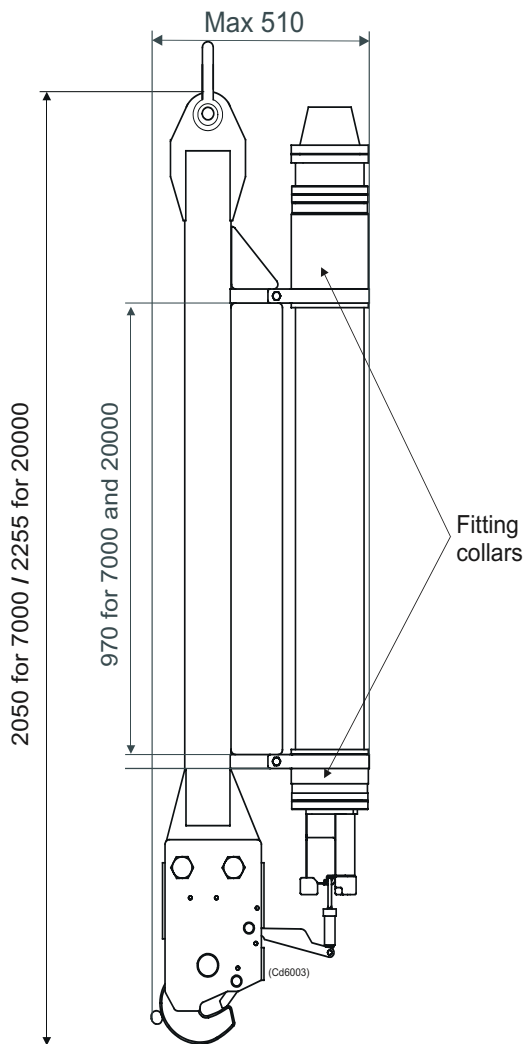
An ORM unit supports the following transponders:

- SPT 31x/R series
- SPT 33x/R series
- MPT 319/R series
- MPT 33x/R series
- MPT 13x/R series
- MPT 16x/R series

Fitting collars for all the transponder types are part of the supply.

Specifications

Dimensions



Technical

ORM 7000, safe working load..... 7000 kg

ORM 20000, safe working load..... 20000 kg

Weight:

• ORM 7000

- in air (exc. Transponder)..... 63 kg

- in water (exc. Transponder)..... 55 kg

• ORM 20000

- in air (exc. Transponder)..... 189 kg

- in water (exc. Transponder)..... approx. 170 kg

Material..... AISI 316 - Stainless Steel

Depth Rating..... Dependent of the transponder rating

Operating temperature..... Any temperature within operating conditions of the transponder

DNV Type Approval no..... S-3057

Transponder mounting brackets / rack is model specific.

Kongsberg Maritime AS

Strandpromenaden 50
P.O.Box 111
N-3191 Horten,
Norway

Telephone: +47 33 02 38 00
Telefax: +47 33 04 47 53
www.kongsberg.com
E-mail: subsea@kongsberg.com



KONGSBERG