



KONGSBERG

KONGSBERG MARITIME ENGINEERING AS YOUR EPCI PROVIDER

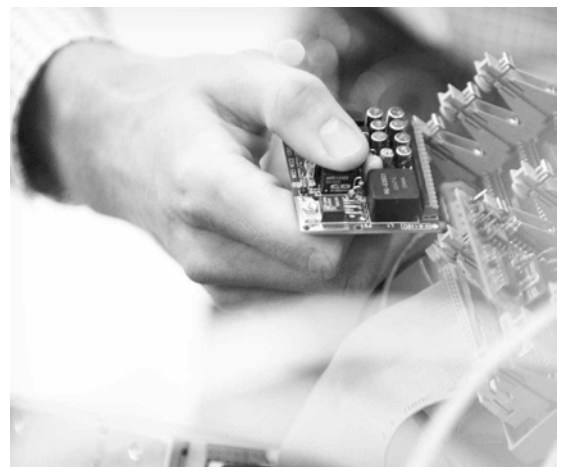
In Kongsberg Maritime Engineering, we are always looking ahead and seeking the solutions of tomorrow. We perform, assist and guide your company through all stages in the project development: **Concept phase, FEED, EPCI, MC & Commissioning**

SYSTEM INTEGRATOR

Kongsberg Maritime Engineering is a solution provider within electrical-, instrumentation- and telecom systems.

Within the Instrument & Safety discipline, we perform and deliver:

- Instrument & Safety system design
- Instrument & Safety System Philosophies
- Specifications and delivery of integrated instrument and safety solutions

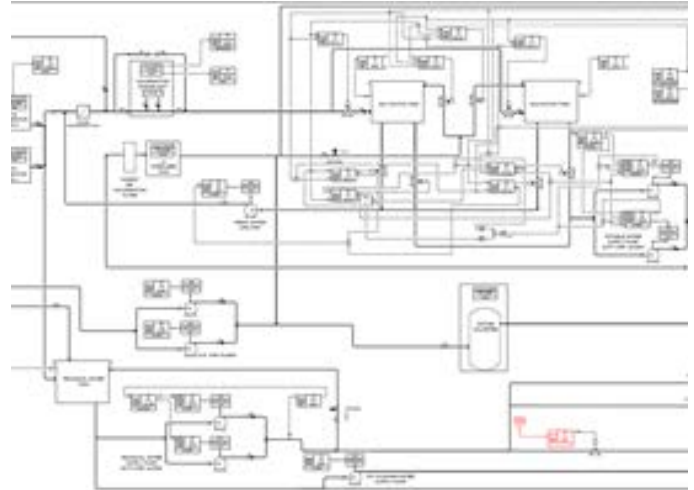


INSTRUMENT & SAFETY SYSTEMS

Are you doing a new build, retro-fit or converting an existing Instrument or Safety System? Kongsberg Maritime Engineering has the resources, technical experience and depth of knowledge to offer solutions to your specific needs.

OUR FIELD OF EXPERTISE INCLUDES:

- Package responsibility
- Engineering assistance and Multidiscipline Interface coordination
- Assist with FAT, HAT, CAT, SAT
- Typical deliverables from Instrument & Safety:
 - o F&G Cause and effect
 - o ESD Cause and effect
 - o F&G and ESD panel Design
 - o System Control Diagrams (SCD)
 - o Layout Drawings
 - o Wiring & Loop Drawings
 - o IO Lists



CALCULATIONS

- SIL Calculations (Input to design)
- IS Calculations



GET IN CONTACT WITH US TODAY

Kongsberg Maritime Engineering strives to provide safety, stability and longevity of your power system, so that you may focus on the real task at hand

Søndre Kullerød 1. NO – 3241 Sandefjord