

K-BRIDGE AUTOPILOT

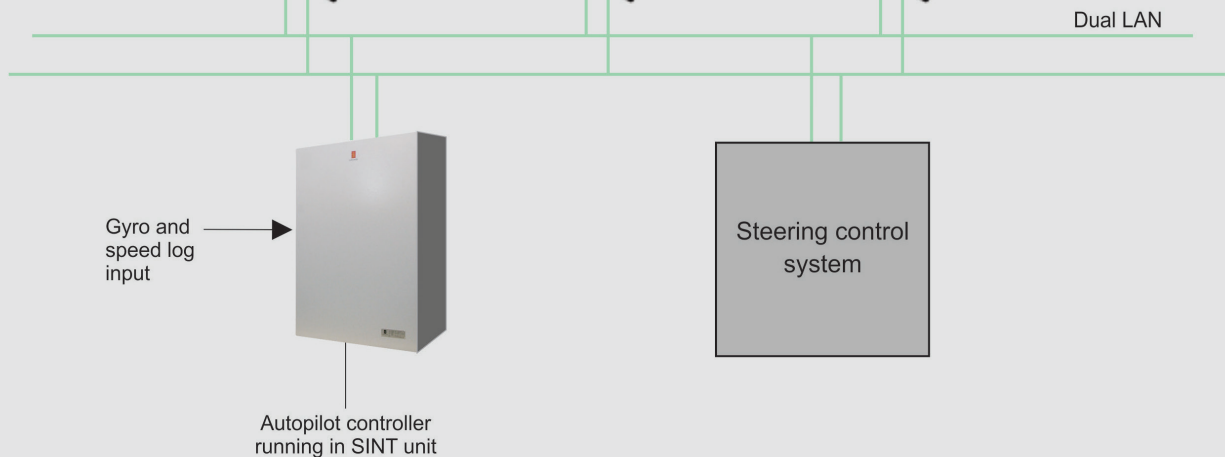


KONGSBERG

K-Bridge Autopilot with K-Bridge display units and steering control system



Navigation consoles with integrated autopilot panel



AUTOMATIC TRACK AND HEADING CONTROL

The K-Bridge Autopilot is a self-adapting, automated track and heading controller that provides optimal steering (under different vessel loads) in all sea and weather conditions.

The K-Bridge Autopilot “learns” how the vessel reacts to different rudder commands and adapts its steering commands accordingly to steer the ship as smoothly as possible in the given conditions.

The autopilot receives its orders either from an operator panel or from an ECDIS or Radar operator station. (The orders are changes of heading, turn radius or rate of turn.) It then calculates the steering commands required to execute these orders and transmits them directly to the vessel’s steering gear.

When installed together with a K-Bridge Sensor Integrator (SINT) and K-Bridge Steering Control System or K-Thrust Thruster Control System, the K-Bridge Autopilot requires virtually no extra cabling.

- Full compliance with IMO track control performance standards (when used in combination with K-Bridge ECDIS and K-Bridge Conning or the K-Bridge Multi-functional Display).
- Provides “all speed” track and heading control including zero crab-angle control using side thrusters (when combined with K-Pos Dynamic Positioning).
- Compatible with normal rudders and azimuth propulsion.
- User interface provided as integral part of K-Bridge operator station interface.

FEATURES

- Full adaptation of steering to the vessel’s characteristics (including its current load conditions) and to current sea and weather conditions.
- Precision and Economy operating modes.
- Choice of turning modes: Rate of Turn or Turn Radius (both permitting adjustment of the turn in mid-turn).

TECHNICAL SPECIFICATIONS

Standards Applied

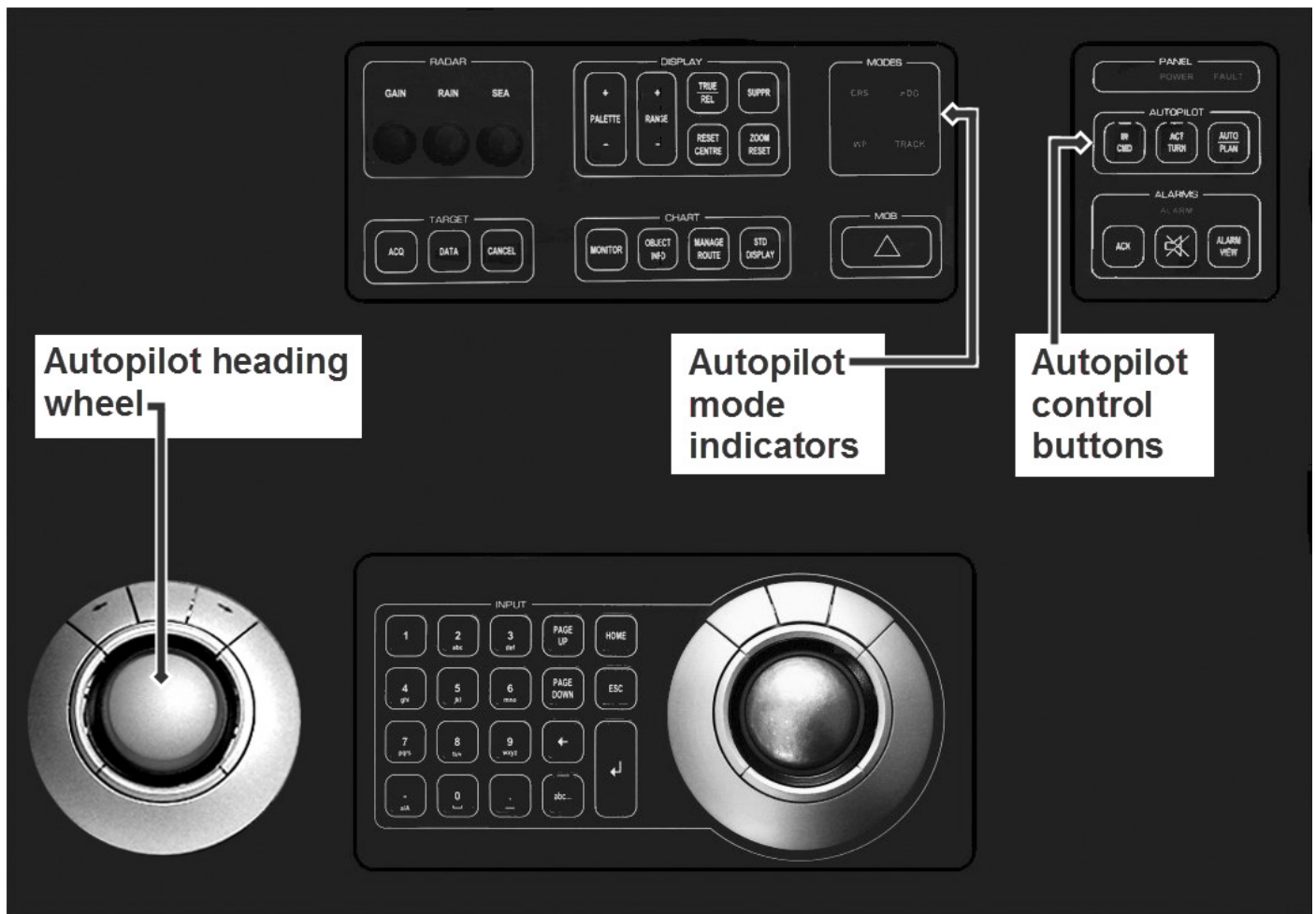
The equipment is designed to conform to the following standards:

- IMO Res.A.694(17)
- IMO Res.MSC.74(69)
- IMO Res.MSC.191(79)
- IMO Res.A.342(IX)
- IMO Res.MSC.64(67) Annex 3
- IEC 60945 (2002) incl. IEC 60945 Corr. 1 (2008)
- IEC 61162 Series
- IEC 62065 (2002)
- IEC 62288 Ed.1.0(2008)
- ISO 11674:2006

Type Approval

The K-Bridge Autopilot is approved in accordance with EU MED 96/98/EC annex A.1/4.16 (as a heading control system) and annex A.1/4.33 (as a track control system). The approval includes the operator interface and the use of other K-Bridge components to accomplish automatic track control.

K-Bridge console operator panel (showing integrated autopilot controls)



Specifications subject to change without any further notice.