

INTERNAL PTZ CAMERA



KONGSBERG



0482-6025 BELOW DECKS HD PAN/ TILT/ ZOOM ULTRA PoE DOME CAMERA

The Kongsberg Maritime 0482-6025 below decks HD PTZ Ultra PoE dome camera is a rugged and easy to install IP camera designed for use on maritime vessels. These cameras offer a highly robust, feature rich speed dome solution for extreme environment applications such as engine rooms, workshops & exposed operation areas.

The camera head uses a 1080p HD high-resolution colour/ monochromatic sensor & IR cut filter for seamless day/night operation with 20x optical zoom. Other features include proportional pan and tilt speed control, time stamp and switchable tilt flip operation.

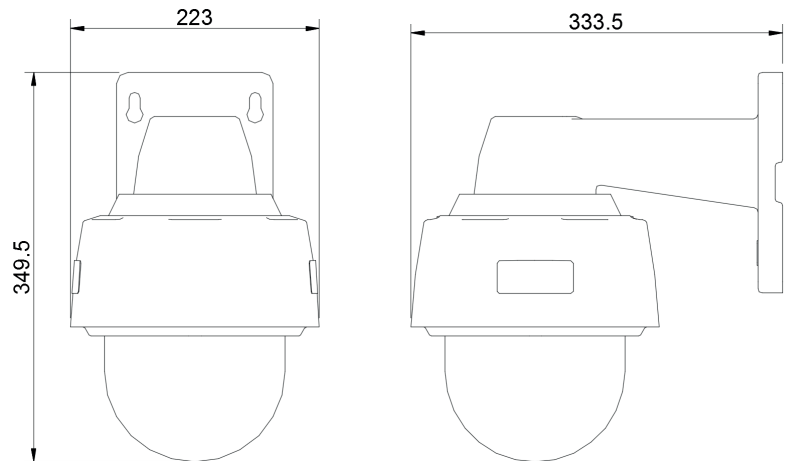
The integrated IP camera can deliver four simultaneous video streams with the latest H.265 video compression format option drastically reducing bandwidth and storage requirements without compromising image quality. The ONVIF compliant camera can easily be integrated into standard IP network systems.

Further the waterproof IP68-rated, vandal-proof IK10 and NEMA 4X rated housing of the 0482-6025 protects the camera body against rain, dust & corrosion and provides a wide operating temperature range of between -40°C to 55°C. The rugged PTZ camera is supplied as a complete station including wall or bulkhead mounting bracket.



FEATURES

- 1080p High Definition @ 60 fps
- 2 megapixel CMOS day/ night sensor
- 20x optical zoom
- 360° continuous Pan, 220° Tilt
- H.265 compression technology
- Ultra Power over Ethernet (UPoE) compatible
- ONVIF compliant
- Robust IP68, IK10, NEMA 4X housing



TECHNICAL SPECIFICATIONS

ELECTRICAL

| | |
|---------------------|--|
| Resolution: | Up to 1920x1080 @ 60 fps (full 1080p HD) |
| Scene illumination: | 0.26Lux @ F1.6 colour mode 0.01Lux @F1.6 monochrome mode |
| Sensor type: | 1/3" progressive CMOS |
| Video compression: | H.265, H.264 and MJPEG |
| Video streaming: | 4 simultaneous streams, individually controllable |
| Frame rate: | 1 to 60 fps @ 1080p (1920 x 1080) |
| Digital zoom: | 128x digital zoom (4x on IE plug-in, 32x built-in) |
| Networking: | 10/100 Mbps Ethernet, ONVIF support & Milestone XProtect® compatible |
| On-board storage: | Micro SD/SDHC/SDXC card slot |
| Power input: | 60 W PoE, 24 VAC, 24VDC, max. 48 W |
| Presets: | 256 preset positions, 128 presets per tour, privacy masks up to 24 |
| EMC: | CISPR 22 EN55022, CISPR 24 EN55024, EN61000, IEC 61000 |

OPTICAL

| | |
|----------------|---|
| Standard lens: | 20x optical zoom, F1.6 ~ F3.5 |
| Iris control: | Electronic, automatic |
| Focus: | Auto |
| AOV in air: | 3° ~ 55° horizontal, 2° ~ 33° vertical, 3° ~ 63° diagonal |

ENVIRONMENTAL

| | |
|------------------------|--|
| Approvals: | CE, ROHS, LVD |
| Housing: | IP68 weather-proof, IK10-rated vandal-proof, NEMA 4X |
| Temperature operating: | -40°C to +55°C |
| Humidity: | Up to 95% RH |
| Shock: | 30 g, 25 ms duration, shock handling test |
| Vibration: | designed to MIL-STD-167A, Type 1, 4-33Hz, Shipboard |

MECHANICAL

| | |
|-------------------|--|
| Dimensions: | 222 mm (H) x 223 mm (Ø), camera only |
| Weight: | 3 kg, excluding cable & bracket |
| Standard housing: | Aluminium, powder coated; polycarbonate dome |
| Connector: | RJ45 socket (installer to fit mating plug on CAT6 cable) |
| Interface: | Wall bracket with 4 x M10 holes on 108 mm (W) x 165 mm (H) spacing |

PAN & TILT COVERAGE

| | |
|-------------------|----------------------|
| Pan: | 360° continuous |
| Tilt: | -110° to +110° |
| Pan & Tilt speed: | 0.05° to 450° / sec. |

Specifications subject to change without any further notice.

KONGSBERG MARITIME

Telephone: +44 1224 226500
E-mail sales: km.sales.camera.uk@km.kongsberg.com

www.km.kongsberg.com



KONGSBERG