

SeaMap 2000 upgrade



KONGSBERG

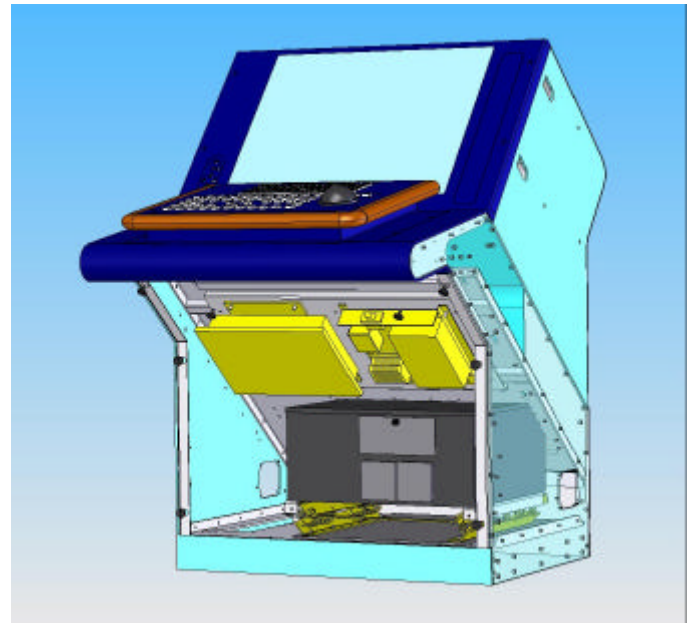
SM 2000 upgrade to latest version (SM 1023)

The SeaMap 2000 upgrade to SM 1023 gives new life to the old SM 2000 (29" BridgeLine). The upgrade takes the old SM 2000 to a state-of-the art ECDIS system based on the latest version of SeaMap from Kongsberg Maritime, the SM 10.

Features

- Tailor made upgrade kit for SM 2000
 - Type approved ECDIS system
 - Delivered with a 23" flat panel colour display (TFT)
 - Vector charts: S57 Edition 3 (Official charts) and S63 (Primar™) Security scheme
 - Vector charts: CM-93/3 and CM-93/2 vector charts from C-Map
 - Raster charts: ARCS (UKHO) or Seafarer (AHO)
 - Radar overlay
 - Route planning and validation
 - Continuous monitoring of own ship in relation to route plan and waters
 - Displays up to 100 Automatic Radar Plotting Aid (ARPA) tracked targets
 - Displays targets and information from AIS (Automatic Identification System)
 - Voyage recording and replay
 - EBL/VRM gives the correct range and bearing from own ship
 - IMO defined functions
 - Integrated handling of the navigation sensors, providing the best set of own ship data; position, course and speed *
- Optional functions:
- Docking display *
 - Passenger Information Display *
 - Radar Video Displayed on chart *
 - Requires LAN connection to a Databridge 10
 - Remote control of AP2000 Track Pilot in Heading, Course and Track Mode
 - Echo sounder monitoring and recording of chart depth information *

* Depending on configuration of connected equipment



Description

The SeaMap 10 Electronic Chart Display and Information System (ECDIS) is a navigation information system that displays selected information from the electronic navigational charts with positional information from navigation sensors. The system is designed to assist the mariner in route planning and route monitoring, and by displaying additional navigation-related information.

SeaMap 10 provides an attractive user interface with a high resolution colour display and a carefully designed operator's panel. The system uses official vector charts and accepts CM-93 vector charts from C-Map and is compatible with ARCS from The United Kingdom Hydrographic Office. This means a world-wide coverage of electronic charts.

Options

- Slave display

What to do

- Remove the SM 2000 computer and empty the cabinets including displays
- Install the new MC71 computer and a mounting plate for power and signal interface unit. (a small cut out in the console is required)
- Install the new 23" TFT monitor and operator panel
- Terminate field cables making use of the old cables
- Commissioning/Sea trial
- In systems with LAN: Exchange old LAN cabling with modern LAN using a LAN switch.

What you get

- State-of-the art ECDIS display and control unit
- Type approved by DNV according to EU-MED (Wheel-mark)
- Updated and improved functionality
- Reduced cost for spares and service
- Reuse of existing bridge integration

Standards Applied

The equipment is designed to conform to the following standards:

- IEC 61174 Ed.2.0 ECDIS Operational and Performance Requirements. Method of Testing and Required Test Results
- IMO Resolution A.817 (19), Performance Standard for Electronic Chart Display and Information Systems
- IEC 60945 Ed.3.0 Marine Navigational equipment, General Requirements. Methods of Testing and Required Test Results
- NMEA 0183 version 2.30 Standard for interfacing Marine Electronic Devices
- IEC 61162 Ed.2.0 Maritime navigation and radio communication equipment and systems – Digital interfaces
- IEC 529 Second edition (1989-11), Degrees of protection provided by enclosures (IP code)
- AIS interface is compatible with ITU-R M.1371 and IEC 61993-2

Type Approval and Wheelmarking

The SeaMap 10 is type approved by:

- Det Norske Veritas (DNV) according to EU MED and wheelmarking
- SeaMap10 has been tested for ARCS compatibility by UKHO

KONGSBERG MARITIME AS

P.O. Box 483, N-3601 Kongsberg, Norway

Telephone +47 32 28 50 00 Telefax +47 32 28 50 13

e.mail: km.sales@kongsberg.com, www.kongsberg.com

Electrical

Input voltage:	230 VAC +/- 10%
Frequency:	50/60 Hz +/- 5%
Power consumption:	Max 600 W

KONGSBERG MARITIME SeaMap 2000 Upgrade kit to SeaMap 1023

S. No.	Qty	Part No.	Description
1	1	301583	SM2000 upgrade to SM 1023
2	1	702403	LAN switch
3	1	603043	Display 23" TFT
4	1	702839	Marine Computer – MC71
5	1	8200321	Computer Interface Unit – CIU2000
6	1	603029	Power Interface Unit – PI10S
7	1	8100164	Operator Panel – OPE10

* Depending on configuration

Environmental Specifications

In compliance with IEC 60945.

LAN

The upgraded unit can be configured to communicate with:

- DataBridge 10
- DataChief 10
- Planning Station 10

Using single or dual LAN.

- DataBridge2000

