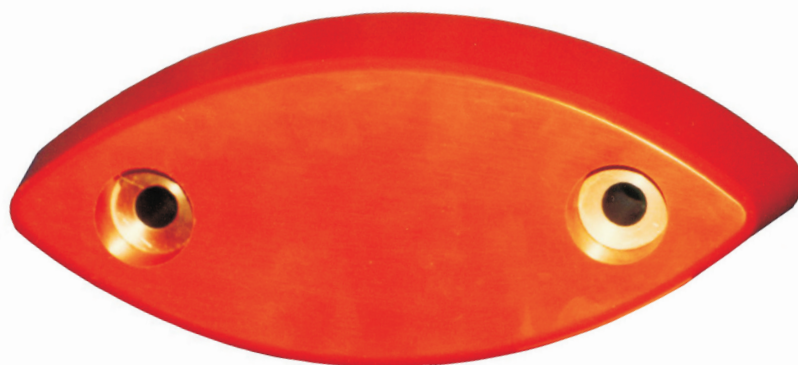


200 kHz Single-beam transducer



Introduction

The 200-7F is a compact, single-beam transducer in a streamlined housing intended for hull mounting on smaller vessels.

Order number

KSV-065414

Technical specifications

Resonant frequency 200 kHz
Circular beamwidth 7 deg ±1
Directivity index 28.5 dB
Equivalent two-way beam angle -21.0 dB
re 1 steradian

Impedance:

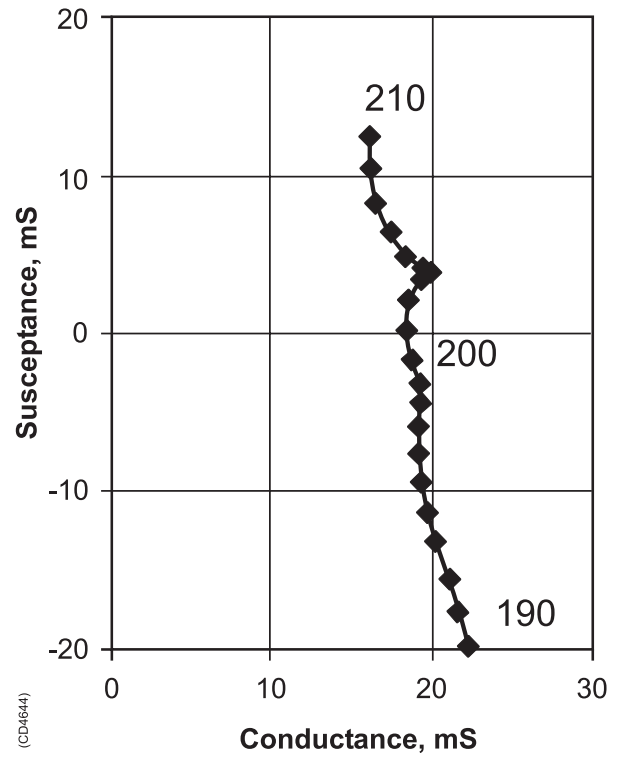
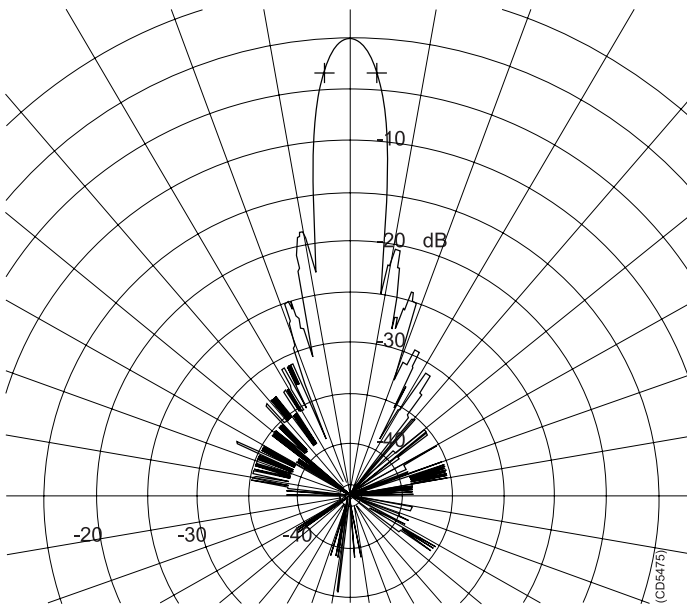
Nominal 60 ohms
Max. variation in $|Z|$ 45 - 80 ohms
Max variation in phase angle ±30 deg
Transmitting response 180.0 dB ±2
re 1 μ Pa per V
Receiving sensitivity, open circuit -185 dB ±2
re 1V per μ Pa

Electroacoustic efficiency:

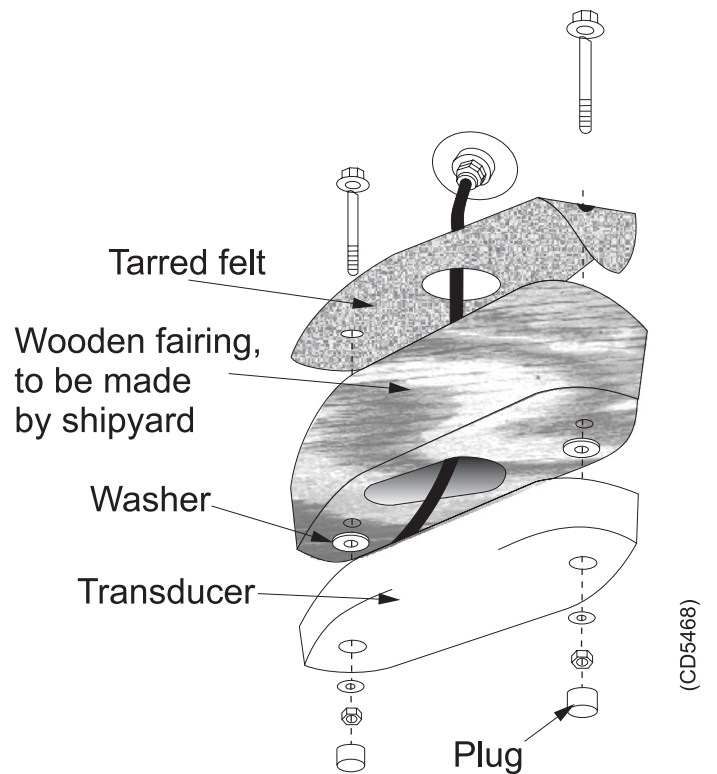
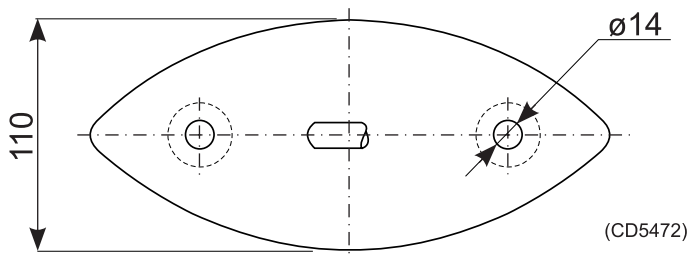
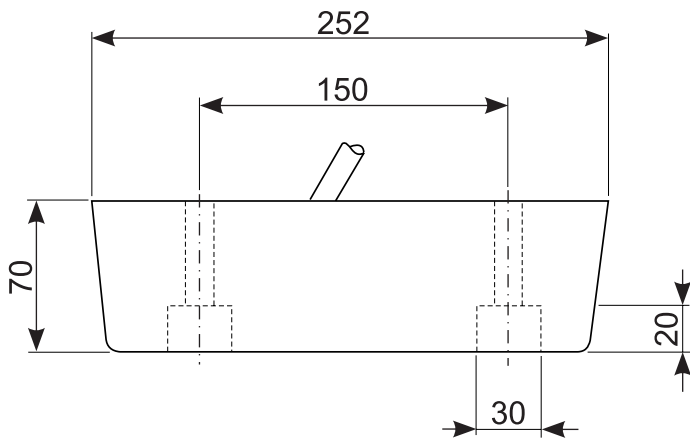
Typical 0.75
Minimum 0.50
Maximum input power 1000 W
Maximum duty cycle (at max power) 0.02
Maximum installation depth 20 m

Cable length 15 m
Weight without cable 1.9 kg
Storage temperature -20 to 70 °C

Data



Installation



Manufacturer:

Simrad AS
 Strandpromenaden 50
 P.O.Box 111
 N-3191 Horten
 Telephone: +47 33 03 40 00