

200 kHz Single-beam transducer



Introduction

The 200-35 is a 200 kHz transducer with a narrow, 3-degree beam. It is recommended for accurate water depth and level measurement inside storage tanks.

Order number

KSV-068181

Technical specifications

Resonant frequency 200 kHz
Circular beamwidth 3 deg \pm 0.5
Directivity index 35 dB
Equivalent two-way beam angle -27.5 dB
re 1 steradian

Impedance:

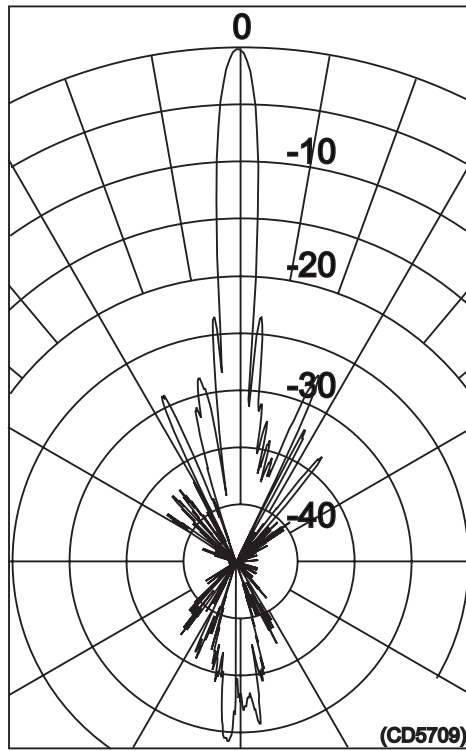
Nominal 60 ohms
Max. variation in $|Z|$ 45 - 80 ohms
Max variation in phase angle \pm 30 deg
Transmitting response 186.5 dB \pm 2
re 1 μ Pa per V
Receiving sensitivity, open circuit -177 dB \pm 2
re 1V per μ Pa

Electroacoustic efficiency:

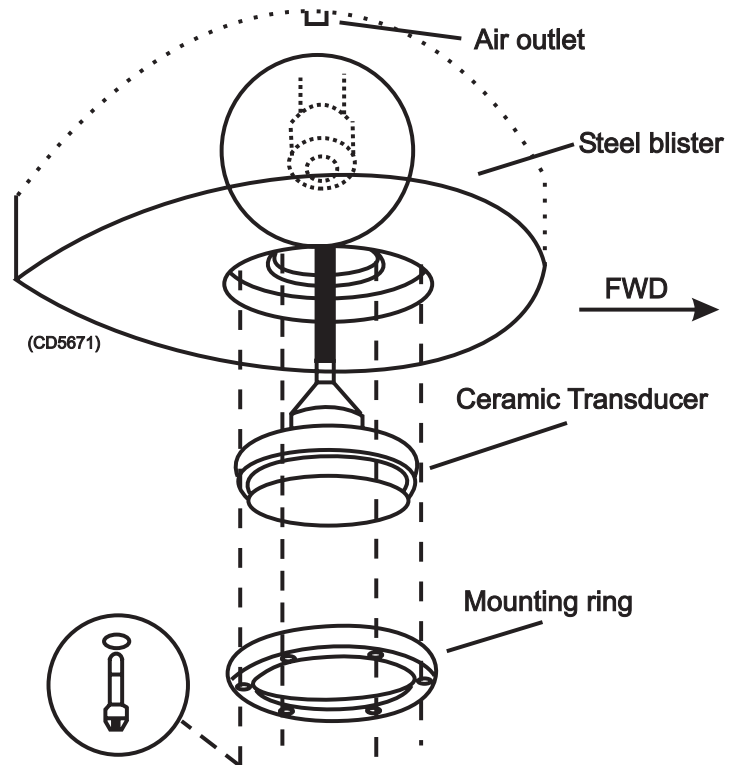
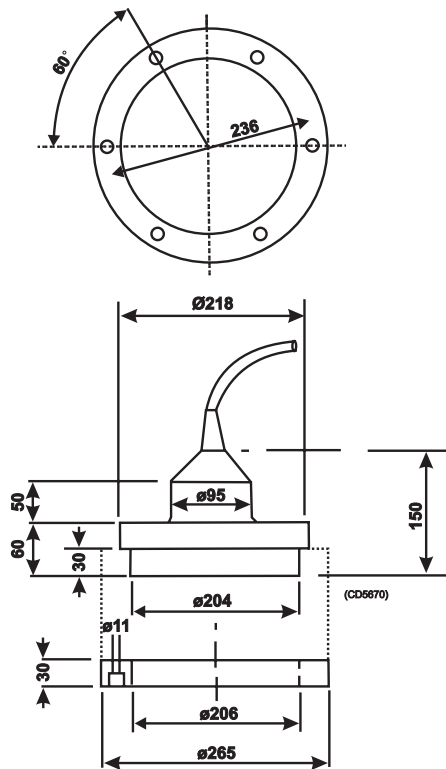
Typical 0.70
Minimum 0.50
Maximum input power 2000 W
Maximum duty cycle (at max power) 0.04
Maximum installation depth 200 m

Cable length 25 m
Cable diameter 11 mm
Weight without cable 6.3 kg
Storage temperature -20 to 70 °C

Data



Installation



Manufacturer:

Simrad AS

Strandpromenaden 50

P.O.Box 111

N-3191 Horten

Telephone: +47 33 03 40 00