

TECHNICAL INFORMATION



KONGSBERG

1007D ALTIMETER

P/N 974-72030000

Specifications subject to change without notice
974-72037902

KONGSBERG MESOTECH LTD. 1598 Kebet Way, Port Coquitlam B.C. Canada V3C 5M5
Tel: (604) 464 8144 Fax: (604) 941 5423

KONGSBERG MESOTECH LTD.

WARRANTY STATEMENT

Effective January 1, 2006

Kongsberg Mesotech Ltd. warrants that its products are free from defective materials and/or workmanship for a period of 24 months from the date of receipt of goods by the end user, or 30 months from date of product shipment from the manufacturing facility (whichever occurs first). Kongsberg Mesotech Ltd. will - at no charge - repair or replace (at its option) any part(s) determined to be defective of workmanship or materials, provided the warranty claim is made to either the manufacturing facility or its authorized repair centres within the warranty period.

The purchaser is responsible for the examination of the product upon receipt. The purchaser is required to report any irregularity to received Kongsberg Mesotech Ltd. goods to either the manufacturer, its Sister companies or its Agents, within 15 days of receipt of goods. Proof of date received may be required.

The warranty is void if warranty labels are broken; Kongsberg Mesotech Ltd. will not warrant any product which is physically damaged, abused, altered, subjected to accident or negligence or misuse, or is incorrectly installed or used by the purchaser - or purchaser's representative.

Consumable items (including lamps, fuses, and worn O rings or shaft-seals) are excluded by the warranty.

All Product/Equipment being returned for warranty, repair/replacement shall have freight costs "prepaid". All warranty Product/Equipment being returned to the customer will be freight charges "prepaid" by Kongsberg Mesotech Ltd.

NOTE: Shipping method and carrier for warranty returned items will be at the discretion of Kongsberg Mesotech Ltd.

A Kongsberg Mesotech Ltd. Warranty Claim form must be completed and submitted to KML Service Department prior to warranty claim acceptance.

Kongsberg Mesotech Ltd. cannot warrant that its products are suitable for any particular or intended purpose. No other warranty is expressed or implied; Kongsberg Mesotech Ltd. accepts no liability on consequential damages – these include, but are not limited to: loss of profit, property damage and personal injury.

The maximum liability shall not, in any case, exceed the price of the product claimed to be defective.

1007D Series Altimeter



P/N 974-72030000

KONGSBERG

The 1007D digital altimeters are small, light weight and designed for deep ocean applications, where dimensions and weight are key equipment selection factors.

The 1007D altimeter is ideally suited to applications such as: positioning, berthing, height above seabed, and below surface monitoring.

Operating Frequency: 200 kHz
Beam Width: 10° nominal
Minimum Range: 0.61m
Maximum Range: 30.48m
Output Resolution: 7.62mm
Transmit Pulse Widths: 100 μS
Repetition Rate: 14/sec
Assumed speed of sound: 2 1478 M/S

Receive Bandwidth: 20 kHz max
Operating Mode: 807
Serial Interface: RS232C or RS485
Downlink Baud Rate: 9600 bps
Uplink Baud Rate: 9600 bps, adjustable in MS1000 mode
Hold-off Synchronization: Via serial command
Aux. Analog Output 0.098V – 4.88V

Power Requirement: +22 to +28 Vdc @ 1.8A startup, 250 mA continuous

Temperature Range: -10 to +50°C operating
-30 to +50°C storage

Operating Depth: 4000m

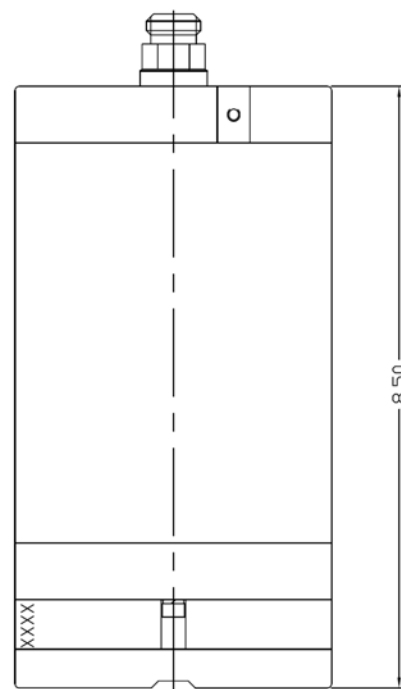
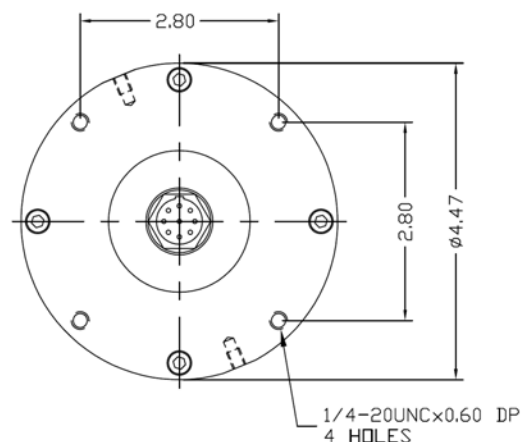
Connector: Seacon CS-MSAJ-9-BCR

Materials: Alum 6061-T6, 300 Series S.S., PVC, Epoxy

Finish: Anodize, Black MIL-A-8625 type II

Dimensions: (3000m) Length 8.50"/216mm (excludes connector)
Diameter 4.47"/114mm

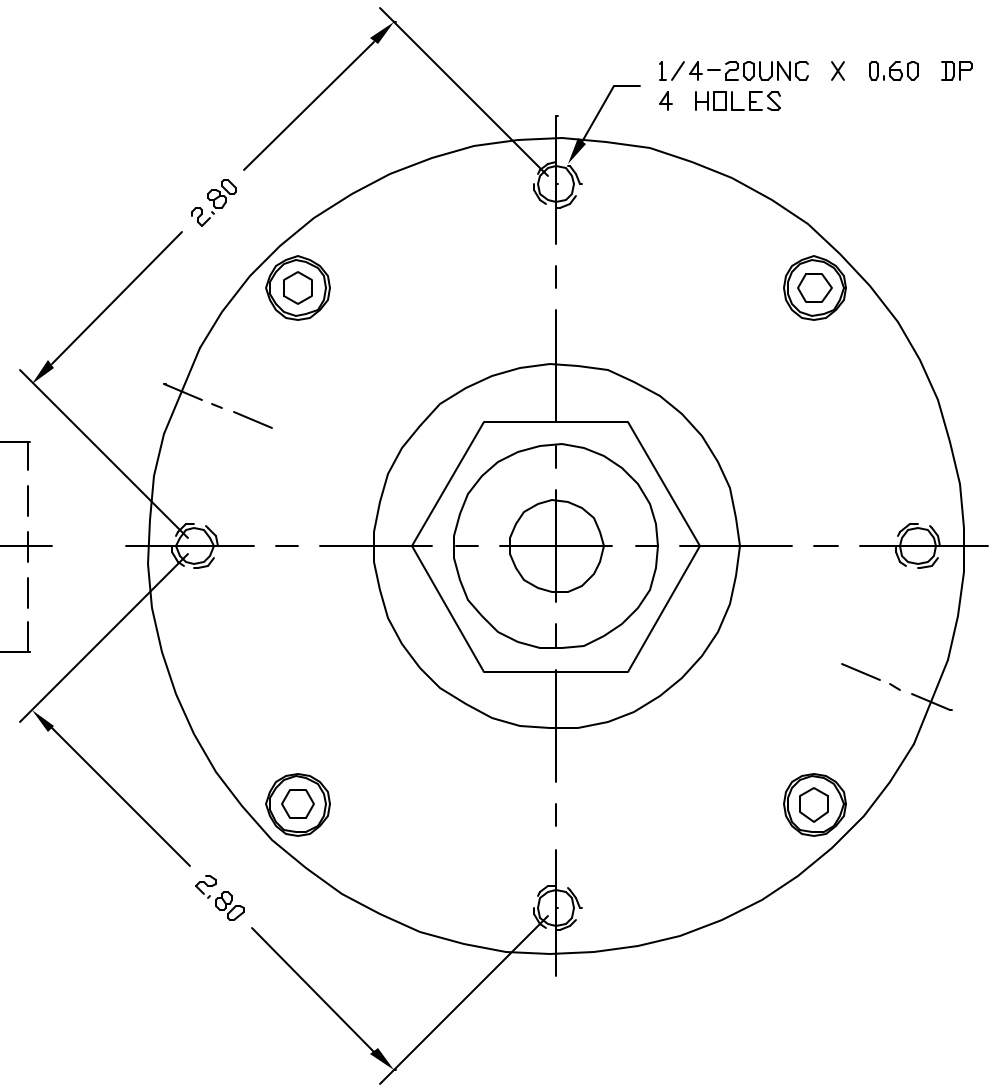
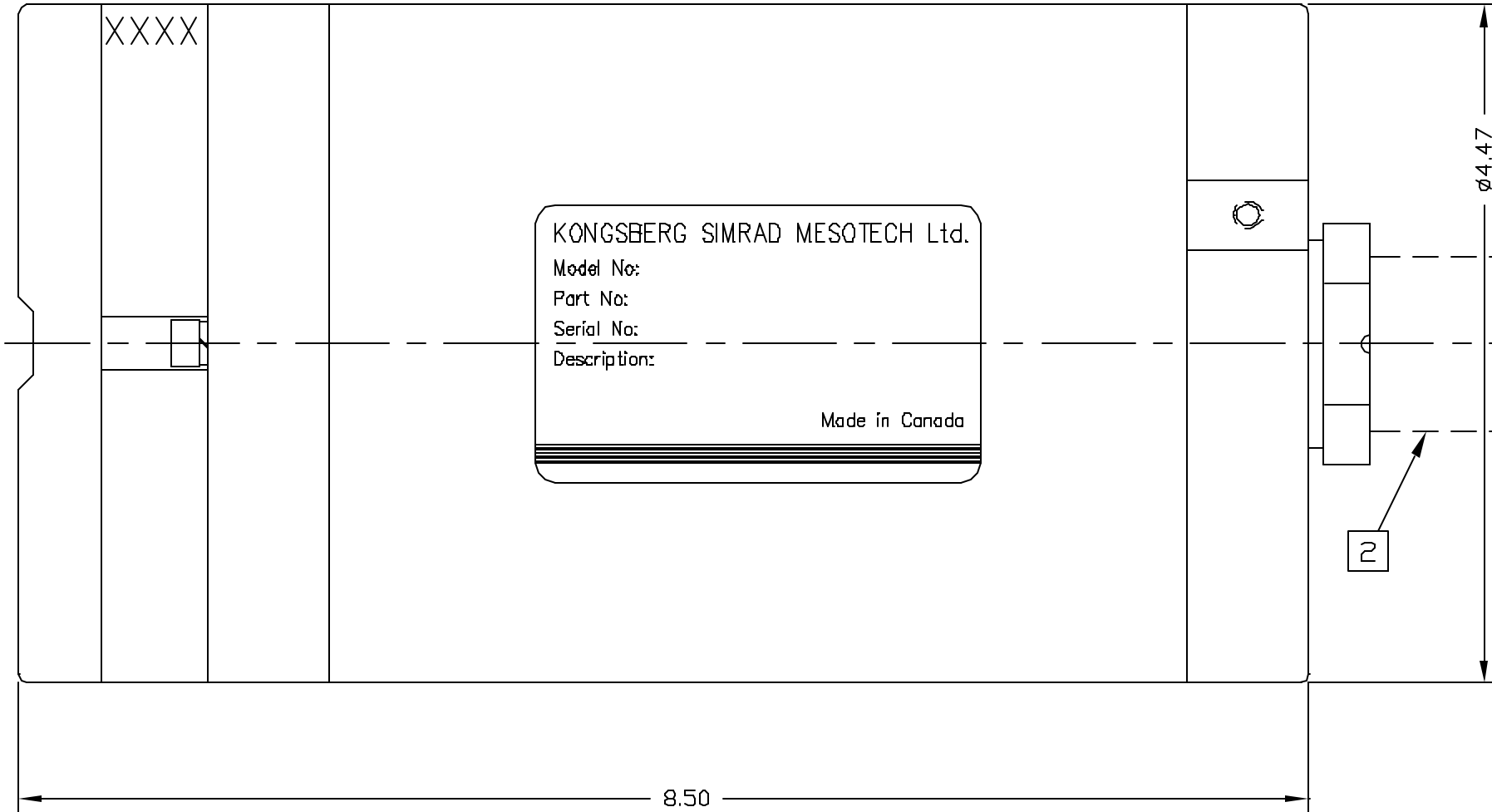
(Est.) Weight: Air 11.0 lbs./5.0 kg
Water 6.0 lbs/2.7 kg



The operating mode and parameters can be configured with ALTCONFIG software

Specifications subject to change without notice
974-72037901 Iss 1.0

KONGSBERG MESOTECH LTD. 1598 Kebet Way, Port Coquitlam B.C. Canada V3C 5M5
Tel: (604) 464 8144 Fax: (604) 941 5423



ZONE	ISS	DESCRIPTION	DATE	APPROVED
	1.1	ECD 3200	010626	

REVISIONS

- NOTES:**
- 1 MAXIMUM OPERATING DEPTH: 6000msw/19700fsw
 - 2 U/W CONNECTOR IS CUSTOMER SPECIFIED
 - 3 WEIGHT IN AIR: 11.0lbs/5.0kg
WEIGHT IN SEAWATER: 6.0lbs/2.7kg
 - 4 DIMENSIONS IN INCHES
 - 5 DO NOT SCALE

PROPRIETARY NOTICE
 THIS DOCUMENT CONTAINS INFORMATION WHICH IS THE SOLE PROPERTY OF KONGSBERG SIMRAD MESOTECH Ltd. AND IS RECEIVED IN CONFIDENCE. ITS CONTENTS MAY NOT BE DISCLOSED OR REPRODUCED IN ANY WAY WITHOUT THE WRITTEN CONSENT OF KONGSBERG SIMRAD MESOTECH Ltd.

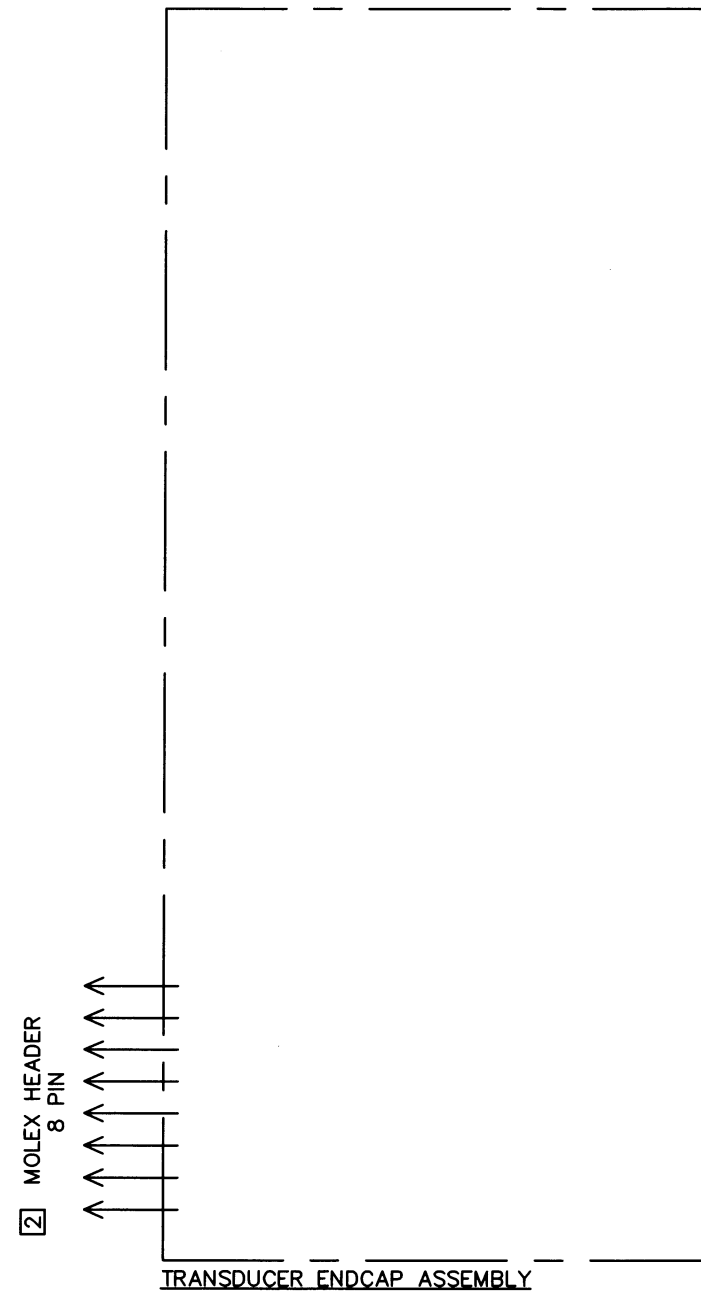
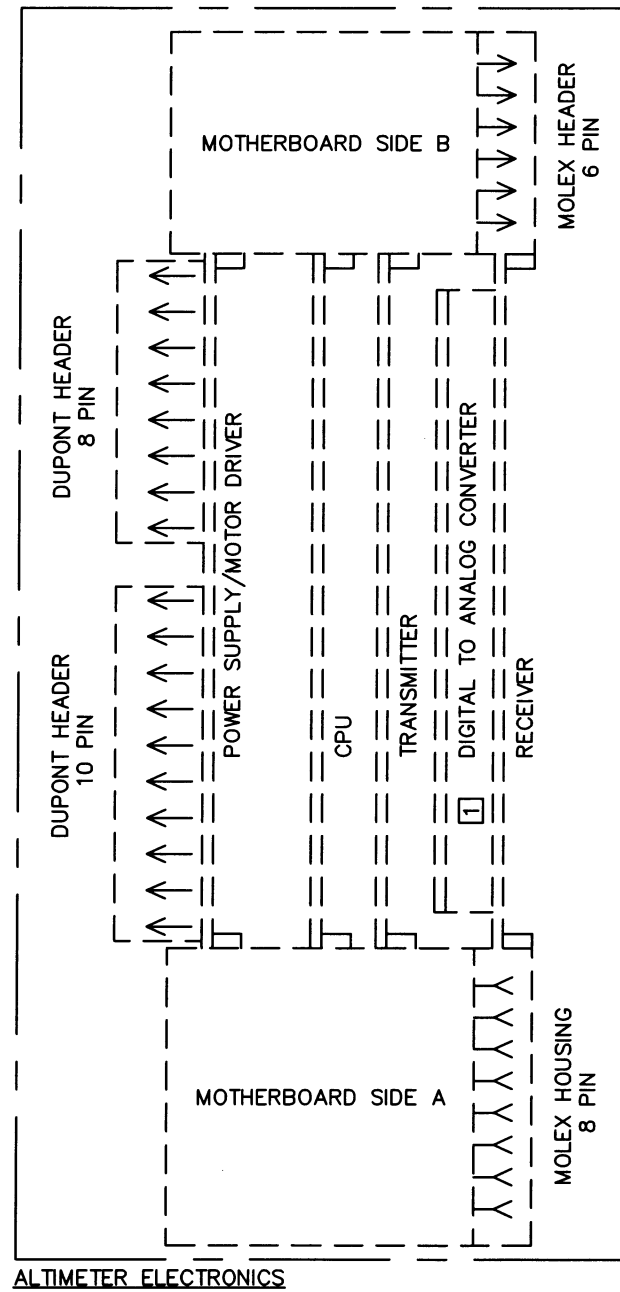
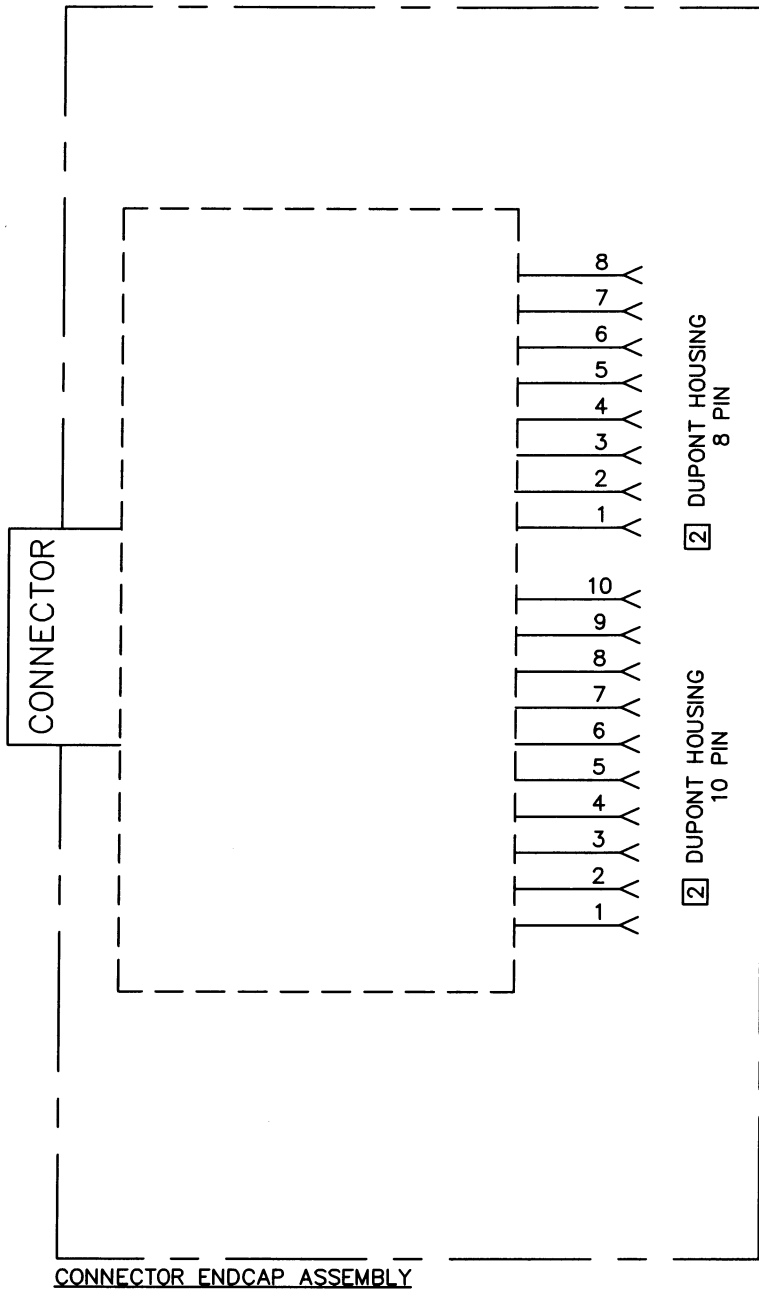
APPROVALS	DATE
DRAWN BMS	00/11/20
CHECKED ENGR	
ISSUED	
NEXT ASSY MODEL	
ZONE	

Kongsberg Simrad Mesotech Ltd.

OUTLINE & INSTALLATION DRAWING -
6000m MODEL 1007 ECHO SOUNDER

SIZE	NSCM NO	TYPE	DWG NO.	ISS
B	1C965	MD	974-70061001	1.1

SCALE: FULL W.O. NO. SHEET 1 OF 1

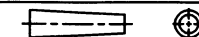


- NOTES:
- 1 FOR ANALOG OUTPUT.
 - 2 CONNECTOR CRIMP SOCKETS ARE INSTALLED AS REQUIRED ONLY

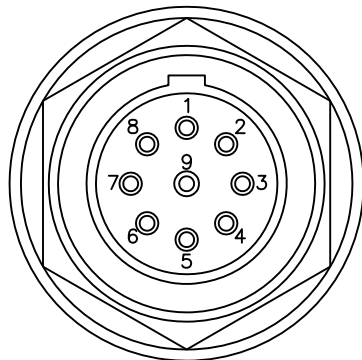
PROPRIETARY NOTICE - THIS DOCUMENT CONTAINS INFORMATION WHICH IS SOLE PROPERTY OF KONGSBERG MESOTECH LTD AND IS RECEIVED IN CONFIDENCE. ITS CONTENTS MAY NOT BE DISCLOSED OR REPRODUCED IN ANY WAY WITHOUT WRITTEN CONSENT OF KONGSBERG MESOTECH LTD.

APPROVALS	DATE
DRAWN BD	2014 NOV 21
REVISED	
CHECKED <i>DM</i>	Nov 24/2014
ENGR <i>JH.</i>	Nov 26/2014
ISSUED <i>RCH</i>	2014/12/2
CONFIDENTIAL DO NOT COPY	

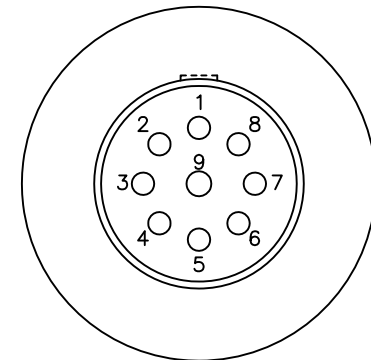
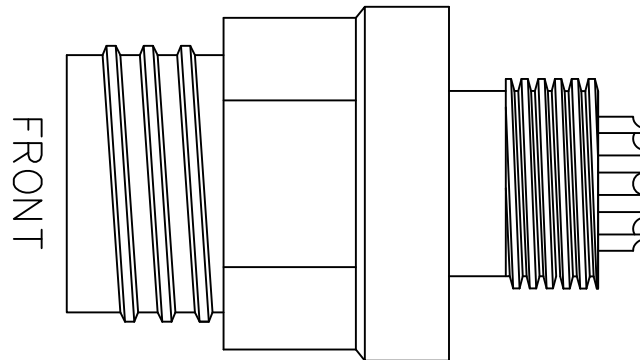
DO NOT SCALE DRAWING



ISS	DESCRIPTION	DATE
REVISIONS		
Kongsberg Mesotech Ltd.		
BLOCK DIAGRAM MODEL 1007D ALTIMETER		
SIZE B	NSCM NO 1C965	TYPE MD
DWG NO. 974-71001002	ISS 1.0	
SCALE: NTS	W.O. NO.	SHEET 1 OF 1



FRONT VIEW



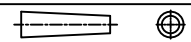
REAR VIEW

- 1: -V (COM)
- 2: +V
- 3: ANALOG COM
- 4: ANALOG OUT
- 5: DIGITAL COM
- 6: RS485- (232 UP)
- 7: RS485+ (232 DWN)
- 8: N/C
- 9: N/C

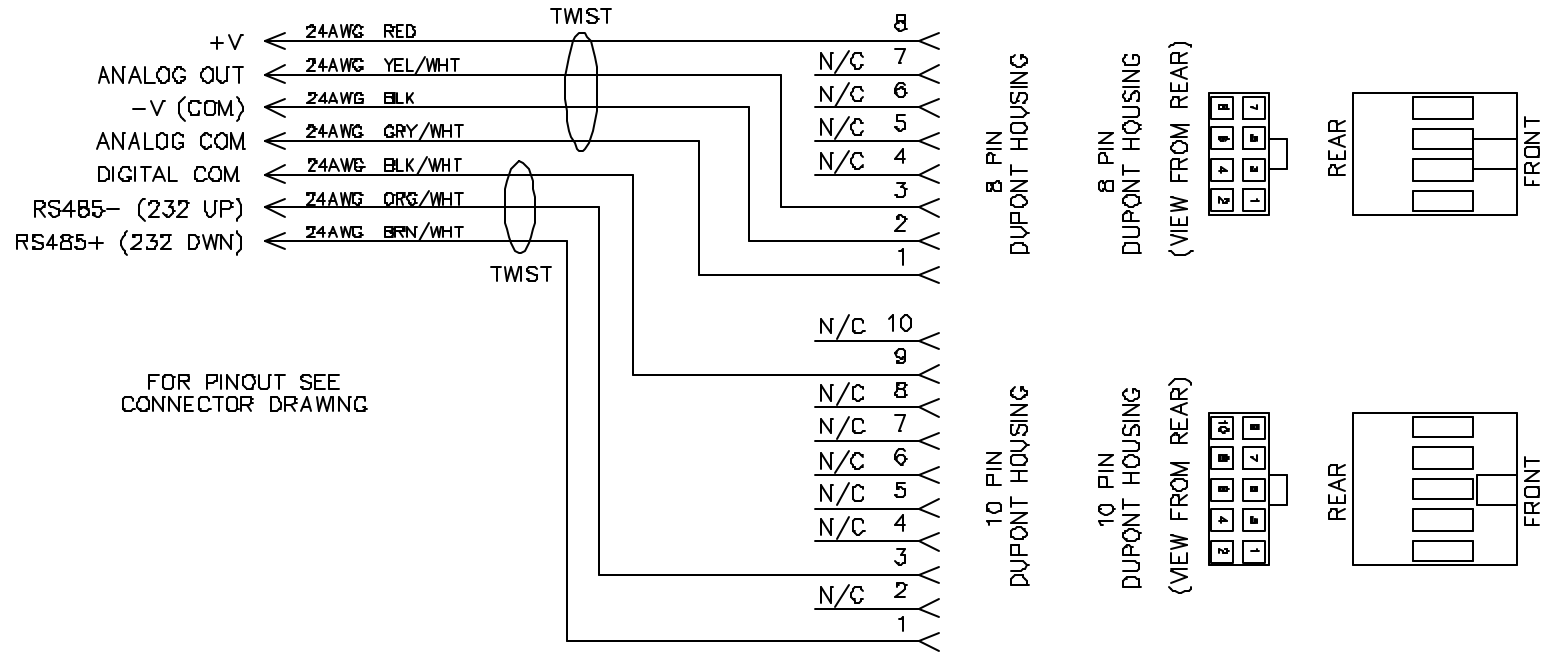
PROPRIETARY NOTICE - THIS DOCUMENT CONTAINS INFORMATION WHICH IS SOLE PROPERTY OF KONGSBERG MESOTECH LTD AND IS RECEIVED IN CONFIDENCE. ITS CONTENTS MAY NOT BE DISCLOSED OR REPRODUCED IN ANY WAY WITHOUT WRITTEN CONSENT OF KONGSBERG MESOTECH LTD.

DO NOT SCALE DRAWING

APPROVALS		DATE
DRAWN	BH	2011/12/09
REVISED		
CHECKED		
ENGR		
ISSUED		
CONFIDENTIAL DO NOT COPY		



ISS	DESCRIPTION	DATE
REVISIONS		
Kongsberg Simrad Mesotech Ltd.		
CONNECTOR 9PIN, CS-MS-J SERIES RS485/232 ANALOG O/P		
SIZE	NSCM NO	TYPE
A	1C965	MD
DWG NO.	442-00001280	
ISS	1.0	
SCALE: 2:1	W.O. NO.	SHEET 1 OF 1

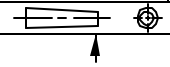


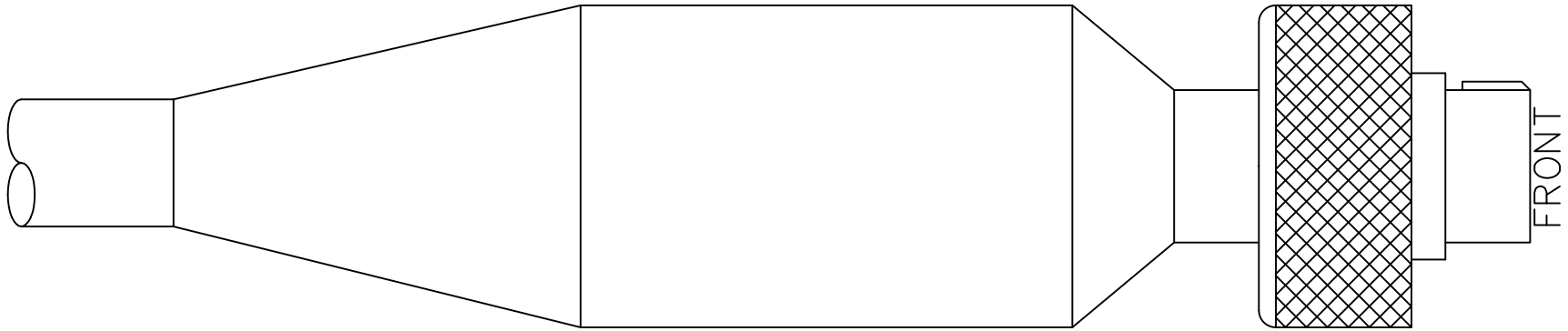
ZONE	ISS	DESCRIPTION	DATE	APPROVED
REVISIONS				

PROPRIETARY NOTICE
 THIS DOCUMENT CONTAINS INFORMATION WHICH IS THE SOLE PROPERTY OF KONGSBERG SIMRAD MESOTECH Ltd. AND IS RECEIVED IN CONFIDENCE. ITS CONTENTS MAY NOT BE DISCLOSED OR REPRODUCED IN ANY WAY WITHOUT THE WRITTEN CONSENT OF KONGSBERG SIMRAD MESOTECH Ltd.

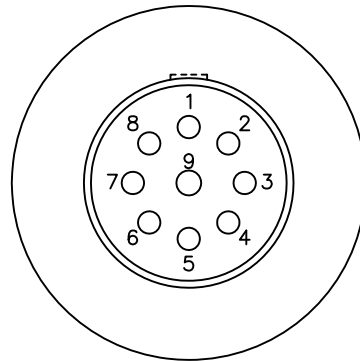
APPROVALS		DATE
DRAWN	C.SMITH	27SEP01
CHECKED		
ENGR		
ISSUED		
NEXT ASSY	MODEL	
ZONE		

Kongsberg Simrad Mesotech Ltd.				
ENDCAP WIRING RS485/232 DIGITAL TELEMETRY ANALOG O/P				
SIZE	NSCM NO	TYPE	DWG NO.	ISS
A	1C965	MD	442-00001325	1.0
SCALE: -		W.Q. NO.	SHEET 1 OF 1	





- 1: -V (COM)
- 2: +V
- 3: ANALOG COM
- 4: ANALOG OUT
- 5: DIGITAL COM
- 6: RS485- (232 UP)
- 7: RS485+ (232 DWN)
- 8: N/C
- 9: N/C



REAR VIEW

ISS	DESCRIPTION	DATE
REVISIONS		
	Kongsberg Simrad Mesotech Ltd.	
	CONNECTOR - PLUG 9PIN, CS-MS-J SERIES RS485/232 ANALOG O/P	
SIZE	NSCM NO	TYPE
A	1C965	MD
DWG NO.		ISS
442-00001480		1.0
SCALE: 2:1	W.O. NO.	SHEET 1 OF 1

PROPRIETARY NOTICE - THIS DOCUMENT CONTAINS INFORMATION WHICH IS SOLE PROPERTY OF KONGSBERG MESOTECH LTD AND IS RECEIVED IN CONFIDENCE. ITS CONTENTS MAY NOT BE DISCLOSED OR REPRODUCED IN ANY WAY WITHOUT WRITTEN CONSENT OF KONGSBERG MESOTECH LTD.

APPROVALS	DATE
DRAWN BH	2011/12/09
REVISED	
CHECKED	
ENGR	
ISSUED	
CONFIDENTIAL DO NOT COPY	

DO NOT SCALE DRAWING

