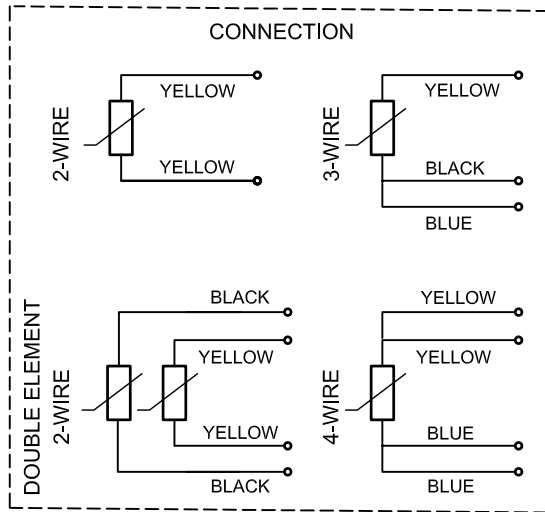
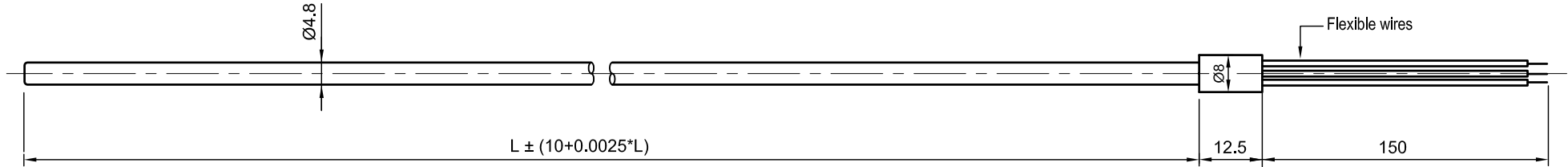


All rights reserved. Specifications subject to change without notice.



LETTER NO.1	EXPLANATION
D	Double element, 2-wire
F	Single element, 4-wire
N	Single element, 4-wire, 1/3 DIN
S	Single element, 2-wire
T	Single element, 3-wire

LETTER NO.2	ELEMENT TYPE	RANGE
M	Pt1000 Ω/0°C	-50 to 600°C
U	Pt100 Ω/0°C	-200 to 600°C

ORDERING EXAMPLE: MN3881 T2000 U

Mechanical design ————
 3-wire connection ————
 L=2000 mm ————
 Pt100 Ω/0°C ————

REMARKS

1. Temperature range, sensor: -200 to 600°C
2. Temperature range, flexible strands: -60 to 150°C
3. Material, sensor: AISI316L
4. Protection grade: IP67
5. Insulation: >100 Mohms/500 VDC
6. Classification approvals: LR, DNV, GL, RINA, ABS, BV, RS
7. When using a 2-wire connection you will read too high temperature. Per 10m cable, you will read 1.7°C too high temperature. This reading fault should be adjusted in the central unit.

Date 1998-05-27	Dsgn/Dwn AJK	Trac	Scale/Format
Checked SJU	Spec Ctrf.	Approved MaV	

Kongsberg Maritime AS
Automation
Trondheim

Temperature sensor type MN3881-

Repl. for	Repl. by	Next sheet
-----------	----------	------------

DIMENSIONAL SKETCH

Dwg no. MN-3881	Sh.no.	Rev. A	Lang.
---------------------------	--------	------------------	-------