

Compact Joystick Control System

The cJoy Compact Joystick Control System is a scalable state of the art joystick system utilizing the latest Kongsberg RCU technology. The Operator Terminal of the compact, module based system is designed to be built into any bridge console.

Features

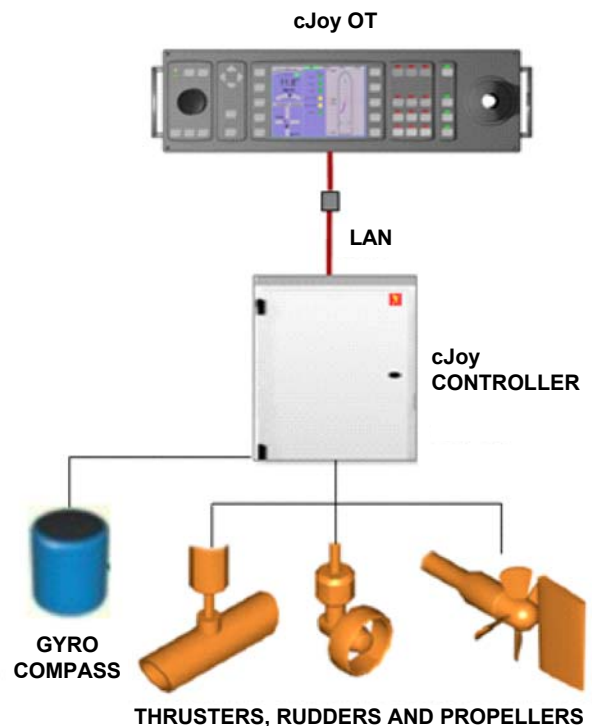
- Manual joystick control mode
- Automatic heading control
- Selection of controller gain level, joystick configuration and rotation centre
- Present and change heading function
- Command transfer between operator locations
- Intuitive and user-friendly operator interface
- Advanced thruster allocation

Basic Configuration

- cJoy Operator Terminal with joystick, heading selector wheel and built-in TFT colour display
- cJoy Controller equipped with RCU510 controller with built-in I/O
- Interface for gyro and thrusters

Options

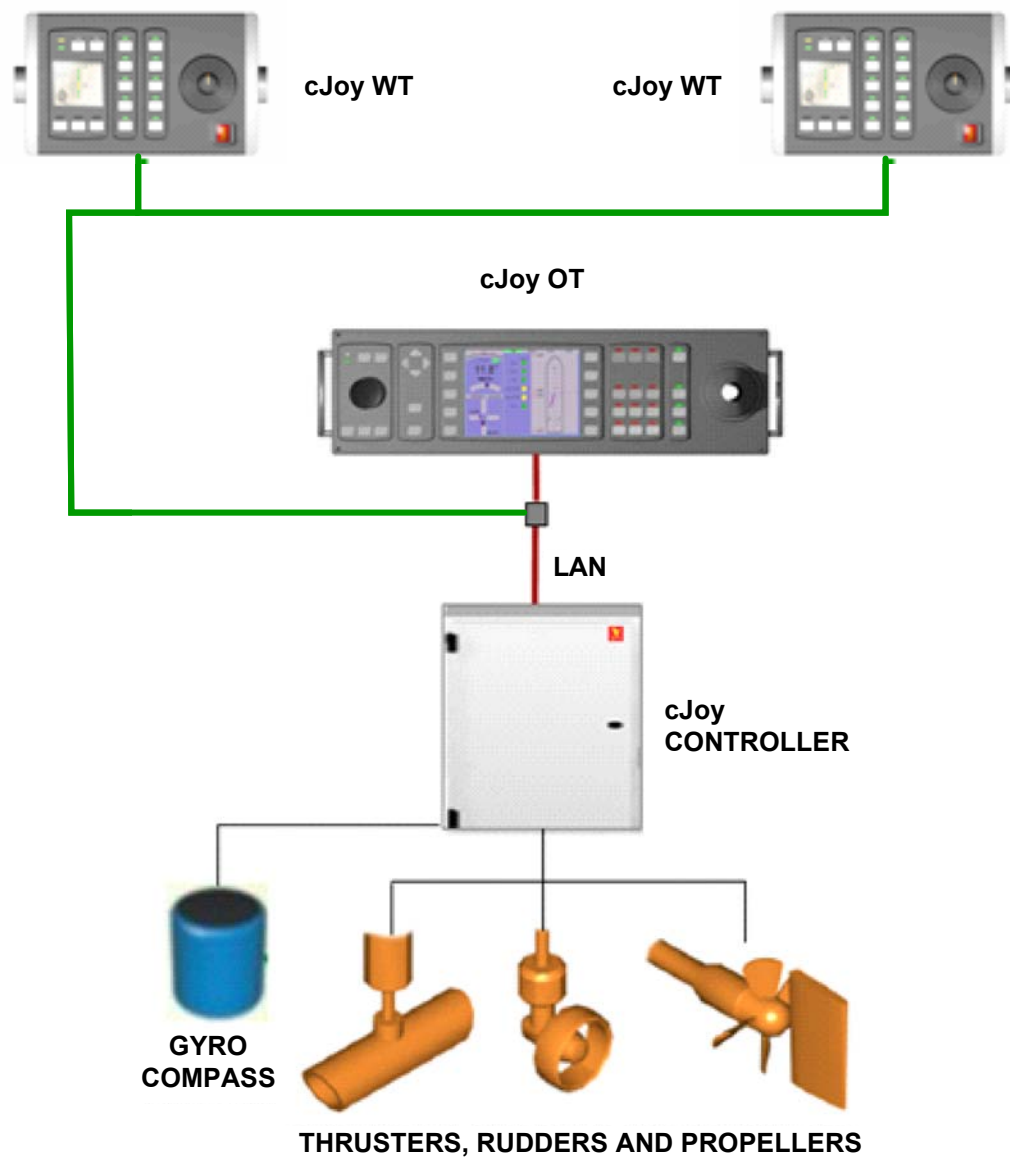
- Autopilot mode
- Automatic Station Keeping mode with individual auto/manual control in the surge, sway and yaw axes
- Wind force compensation
- Interface for DGPS, MRU and anemometer



Extensions and Upgrades

- cJoy Operator Terminals (up to six units)
- cJoy Wing Terminals (up to six units)

Example Configuration



cJoy used as a joystick system with main operator terminal and additional bridge wing terminals.