

# AutoChief® C20

## Electric Actuator SEFA 800



KONGSBERG



### Description

The SEFA800 is a compact, light weight, diesel engine fuel actuator, designed for use in marine environment, type approved according to valid standards.

### Features

- Accuracy: 5 arcmin position accuracy
- Speed: 105 deg/sec @800Nm load
- Torque limitation and control
- Built in brake. Power loss gives locked output shaft
- Fault tolerant positioning.

### Functions

- High dynamic operation. (Position, torque and speed control).
- Absolute position sensor directly connected to output shaft (No position calibration on power up required.)
- Overvoltage and over current protection
- Built in monitoring and fault detection. (Over/under voltage, current consumption, temperatures, etc.)

### Main Specifications

- Nominal Torque: 800 Nm
- Peak Torque 1400 Nm
- Supply voltage 3x230VAC
- Nominal current 7.9A
- Max current consumption 15A
- Nominal power 2500W
- Position feedback: Absolute encoder.
- Position feedback resolution: 22.75 PPD
- Dimensions: 240 x 354 mm (minimum, Diameter x Length)

## System Specifications

### Production burn-in

+ 70°C for 72 hours

### User interface

User interface in ACP or ROS

### Power requirements

3x230VAC power supply +/- 10%

### IP Code

- IP56

### Weight

- 35 kg

### Environmental properties

- IACS E10 rev 4 May 2004,
- IEC60533 Second Edition 1999
- DNV Standard for certification No. 2.4 "Environmental test specification for instrumentation and automation equipment" No. 2.4, issued April 2001 by DNV.
- Operating temperature: -15°C to + 70°C
- Storage temperature: -30°C to + 80°C
- Vibration: >9G at 0-500 Hz
- Maximum humidity: 97 % no condensation

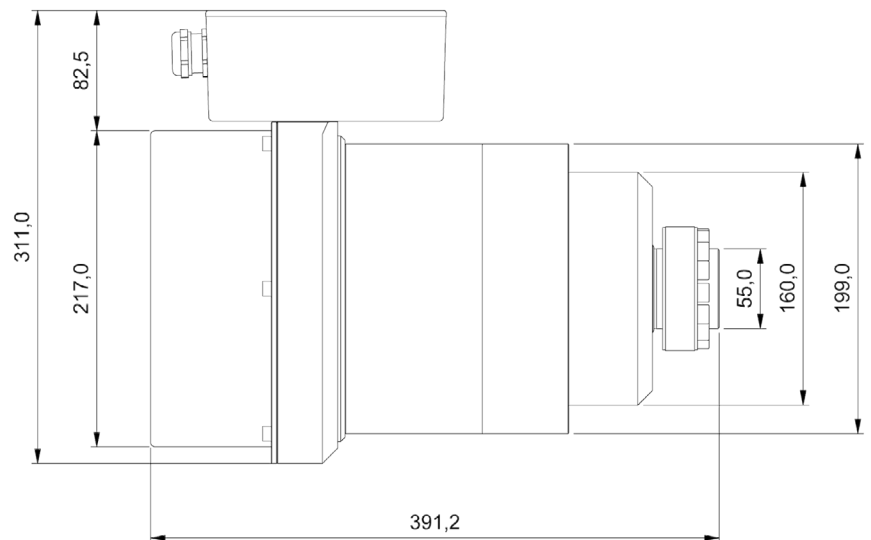
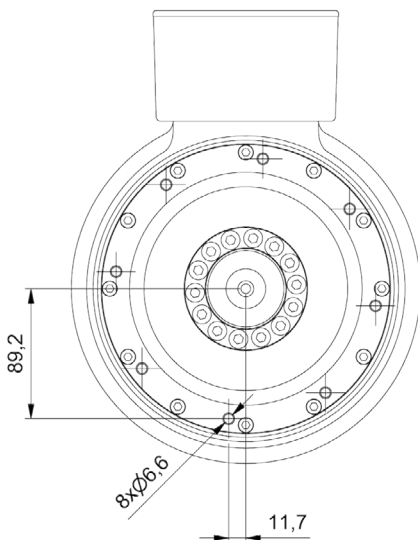
### Electromagnetic compatibility (EMC)

Complies with the classification societies requirements regarding electrostatic discharge (ESD), radiated susceptibility (RS) and conducted susceptibility (CS). In addition to the EU directive for radiated emission

- Emission, conducted: IACS E10:2006 & IEC60945:2002 ; 0.01 – 30MHz
- Emission, radiated: IACS E10:2006 & IEC60945:2002; 0.15 – 2000MHz, IACs E10 Rev6.0 sect.21. 1-6GHz
- Immunity, conducted: IEC 61000-4-16(1998-01); 0.05 – 10kHz
- Immunity, radiated: IEC 61000-4-3(2002-03); 80 – 2000 MHz

### Type approved by

DNV, LRS, BV, GL, RINA, NKK, ABS, KR, RMR, CCS



Copyright © 2012 Kongsberg Maritime AS – All rights reserved

Specifications may be subject to change without prior notice

348589-C

### Kongsberg Maritime AS

Bekkajordet 8A  
P.O.Box 1009  
NO-3189 Horten  
Norway

Telephone: +47 815 73 700  
Telefax: +47 850 28 028  
[www.kongsberg.com](http://www.kongsberg.com)  
[km.sales@kongsberg.com](mailto:km.sales@kongsberg.com)



KONGSBERG