

EXTERNAL MARINE FIXED CAMERA – EX CERTIFIED



KONGSBERG



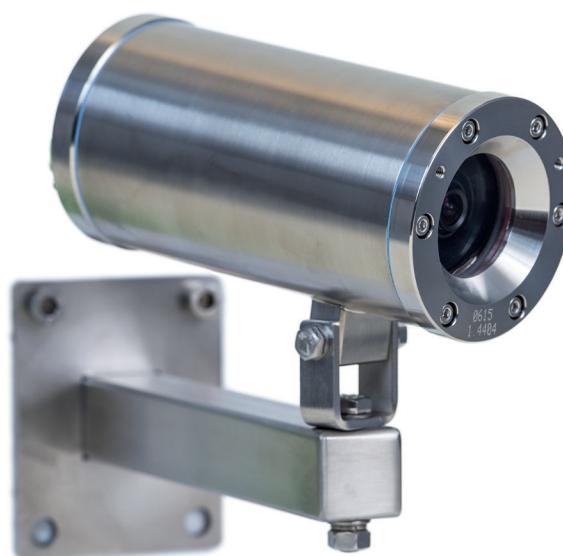
ATEX MARINE HD POE FIXED VARIFOCAL CAMERA - 0482-6080

The Kongsberg Maritime 0482-6080 ATEX marine HD PoE fixed varifocal camera is an ultra rugged and easy to install IP camera designed for use in Hazardous Areas on maritime vessels, oil & gas installations and naval surface ships.

The remote zoom and focus lens with full HD 1920 x 1080 pixel sensor provides a crystal-clear picture making this camera ideal for monitoring hazardous areas on-board. In order to adapt to constantly changing lighting conditions, the camera features a removable IR-cut filter, as well as IR illuminators effective up to 15m, for superior image quality around the clock.

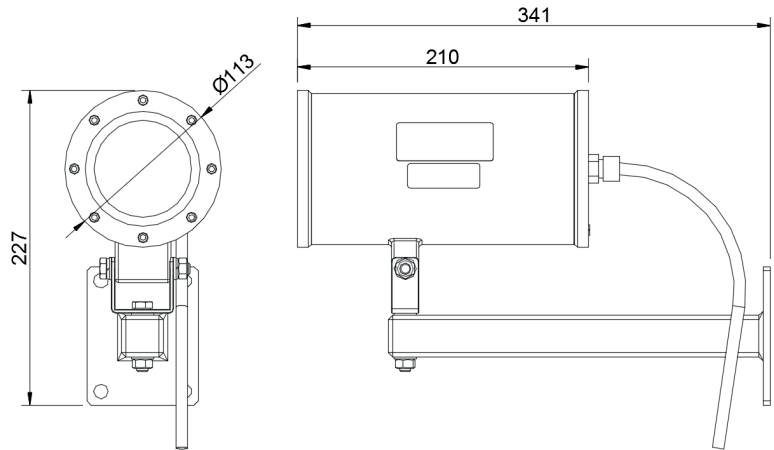
The camera is ONVIF compliant, Power over Ethernet (PoE) capable and can be easily integrated into standard IP network based systems. With H.264 and MJPEG compatibility included, multiple streams can be simultaneously transmitted in any of these formats at different resolutions, frame rates, and image qualities for versatile platforms.

The camera housing is constructed from high grade, corrosion resistant, 316L stainless steel and with an IP68 rating, can be installed in the harshest of marine environments, using the rugged bulkhead mount bracket provided. The camera is factory fitted with a 5m long CAT6A cable and RJ45 plug, suitable for direct connection to a local PoE network switch in a Safe Area of the ship.



FEATURES

- ATEX, IECEx & EAC-Ex certification
- 1080p High Definition
- 2 megapixel CMOS day/night sensor
- Remote adjustable varifocal lens
- Built in IR LED illuminators
- Power over Ethernet (PoE) compatible
- ONVIF compliant
- Robust IP68 316L stainless steel housing



TECHNICAL SPECIFICATIONS

ELECTRICAL

Resolution:	Up to 1920 x 1080 @ 30 fps (full 1080p HD)
Scene illumination:	0.4 Lux @ F1.4 colour mode 0.08 Lux @ F1.4 monochrome mode
IR illumination:	Automatic to illuminate subject at up to 15 m (software disable IR LED)
Sensor type:	1/2.9" Progressive CMOS
Video compression:	H.264 and MJPEG
Video streaming:	Multiple streams, individually controllable
Frame rate:	1 to 30 fps @ 1080p (1920 x 1080)
Digital zoom:	Available
Networking:	10/100 Mbps Ethernet, ONVIF support & Milestone XProtect® compatible
On-board storage:	Micro SD/SDHC/SDXC card slot
Power input:	PoE IEEE802.3af/802.3at Type 1 Class 3, max.10.5 W

OPTICAL

Standard lens:	Varifocal P-Iris 3-10.5 mm, F1.4, with motor focus & zoom
Iris control:	Electronic, automatic
Focus:	Auto
AOV in air:	95° ~ 34° horizontal x 47° ~ 19° vertical

ENVIRONMENTAL

Approvals:	DIN EN 60079-0:2012, DIN EN 60079-1:2007 DIN EN 60079-31:2009 TR CU 012/2011, GOST R IEC 60079-0-2011, GOST IEC 60079-1-2011, GOST R IEC 60079-31-2010
ATEX marking:	Group I: Mb, Group II: Zones 1, 2, 21 & 22
Housing:	IP68 weather-proof
Temperature operating:	-30°C to +40°C external option, includes sunshield 0°C to +40°C internal option, no sunshield

MECHANICAL

Dimensions:	210 mm (L) x 113 mm (Ø), camera only
Weight:	4.7 kg, excluding sunshield, cable & bracket
Standard housing:	Marine Grade 316L Stainless Steel
Cable:	Glanded 5 m CAT6A cable tail to EN 60079-14 (Hazardous Area)
Connector:	RJ45 plug, for connection to Safe Area PoE switch (RJ45 non weather-proof)

Specifications subject to change without any further notice.

KONGSBERG MARITIME

Telephone: +44 1224 226500
E-mail sales: km.sales.camera.uk@km.kongsberg.com

www.km.kongsberg.com



KONGSBERG